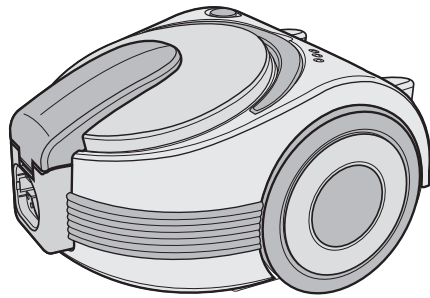




Operating Instructions

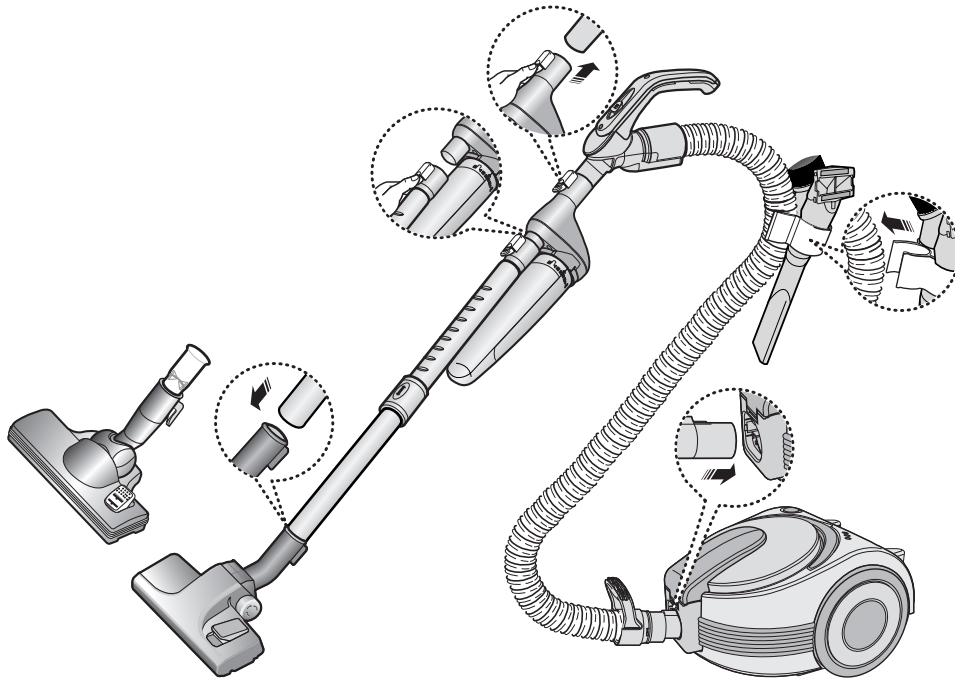


VACUUM CLEANER

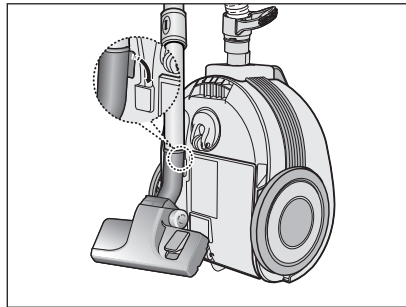


- * Before operating this unit, please read the instructions carefully.
- * For indoor use only.

1 ASSEMBLING THE CLEANER



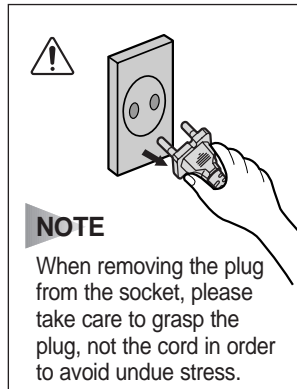
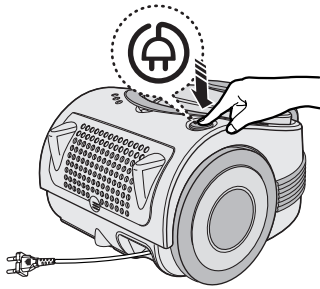
► Features may vary according to model.



For storage, park the floor nozzle.

2 OPERATING YOUR CLEANER

2-1 POWER CORD

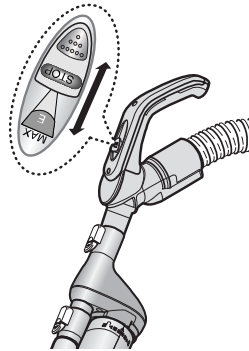


NOTE

When removing the plug from the socket, please take care to grasp the plug, not the cord in order to avoid undue stress.

2-2 HANDLE CONTROL TYPE ONLY

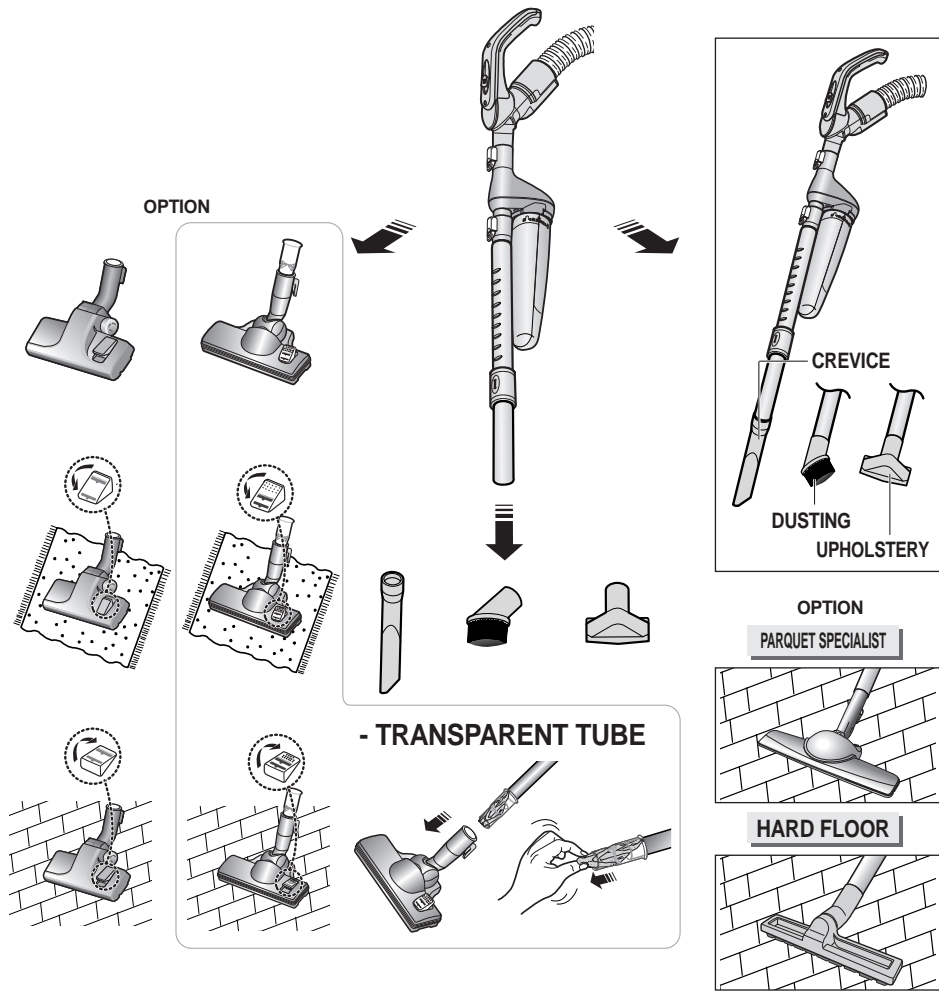
- **SLIDE TO THE STOP POSITION**
Vacuum-cleaner switches off (stand by mode)
- **SLIDE FORWARD TO MAX**
Suction capacity increases smoothly up to maximum.



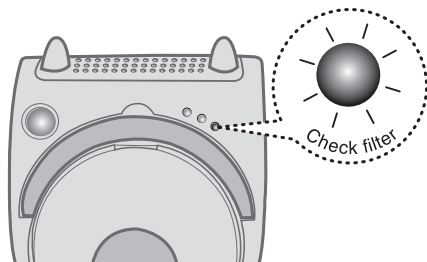
2-3 USING CYCLONE FILTER



2-4 USING FLOOR TOOLS



3 CHECK FILTER INDICATOR

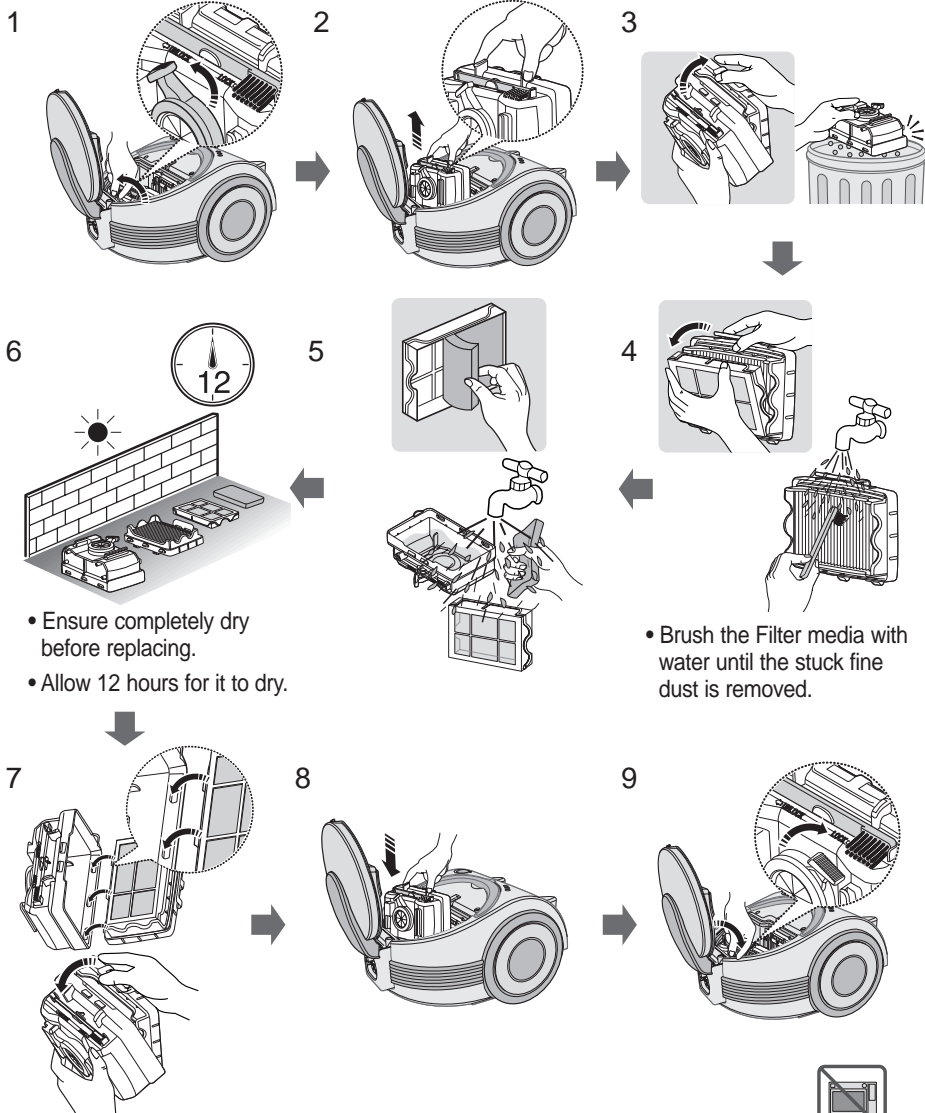


When the light is illuminated, check the Cassette Filter and clean it.

! **OPTIONAL** (Dust Bag type)
Check the Dust bag and change it.

4 MAINTAINING THE CASSETTE FILTER

4-1 EMPTYING THE CASSETTE FILTER(Optional)



- Ensure completely dry before replacing.
- Allow 12 hours for it to dry.

- Brush the Filter media with water until the stuck fine dust is removed.

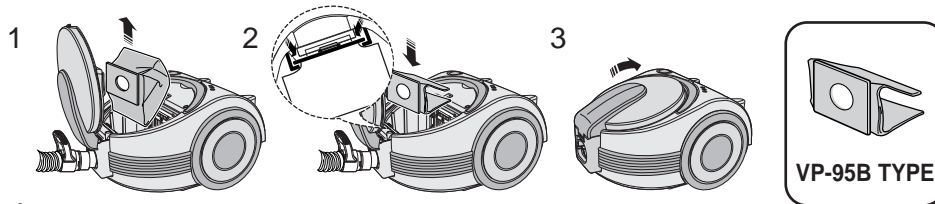
NOTE

The cassette filter should be washed thoroughly as well as emptied if:

- the CHECK FILTER indicator lights continuously
- the suction power feels weaker than normal
- the Turbo Brush (optional) is not working properly



4-2 CHANGING THE DUST BAG (Optional)

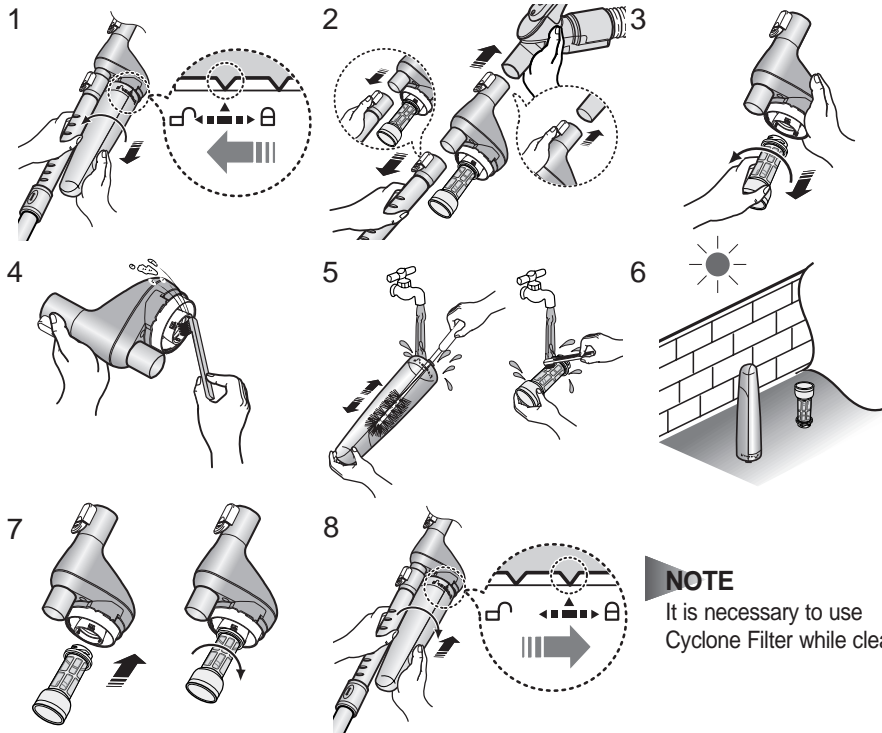


! OPTIONAL

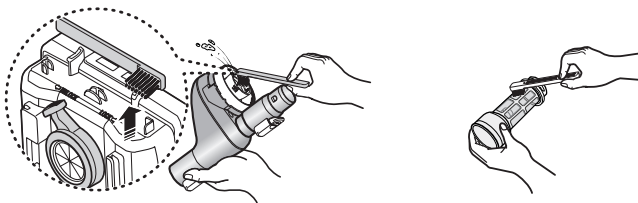
● FOR CLOTH FILTER BAG

After using, if the cloth bag is full of dust, clean the cloth filter bag and use it again.

5 CLEANING THE CYCLONE FILTER (Optional)

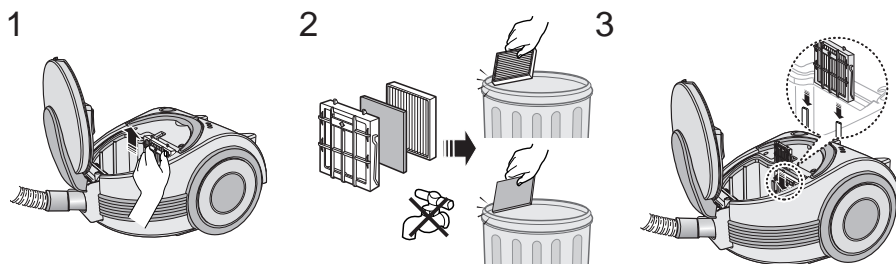


- CLEANING THE INNER PART OF CYCLONE FILTER



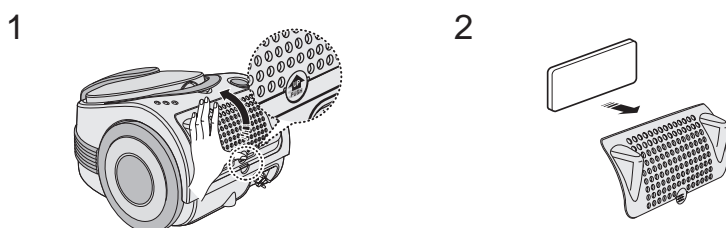
5

6 CLEANING THE INLET FILTER



NOTE : Do not allow the filter to become clogged as this may cause power reduction or may damage the motor.

7 OUTLET FILTER



- IF YOU HAVE A PROBLEM

PROBLEM	CAUSE	REMEDY
Motor does not start.	No power supply. Thermal cut-out.	Check cable, plug and socket. Leave to cool.
Suction force is gradually decreasing.	Nozzle, suction hose or tube is blocked.	Remove the object and empty/wash cassette filter as required.
Cord does not rewind fully.	Check that the cord is not twisted or wound unevenly.	Pull the cord out 2-3m and push down the cord rewind button.
Vacuum cleaner does not pick up dirt.	Crack or hole in hose.	Check hose and replace if required.

IMPORTANT SAFEGUARDS

1. Read all instructions carefully. Before switching on, make sure that the voltage of your electricity supply is the same as that indicated on the rating plate on the bottom of the cleaner.
2. **WARNING:** Do not use the vacuum cleaner when rug or floor is wet.
Do not use to suck up water.
3. Close supervision is necessary when any appliance is used by or near children. Do not allow the vacuum cleaner to be used as a toy. Do not allow the vacuum cleaner to run unattended at any time. Use the vacuum cleaner only for its intended use as described in these instructions.
4. Do not use the vacuum cleaner without Cassette Filter. Empty the Cassette Filter before it is full in order to maintain the best efficiency.
5. Do not use the vacuum cleaner to pick up matches, live ashes or cigarette butts. Keep the vacuum cleaner away from stoves and other heat sources. Heat can deform and discolour the plastic parts of the unit.
6. Avoid picking up hard, sharp objects with the vacuum cleaner as they may damage the cleaner parts. Do not stand on the hose assembly. Do not put a weight on the hose. Do not block the suction or the exhaustion part.
7. Switch the vacuum cleaner off at the machine before unplugging from the electrical outlet. Grasp the plug to disconnect cord from the electrical outlet before caring Cassette Filter and filters.
8. The plug must be removed from the socket out-let before cleaning or maintaining the appliance.
9. The use of an extension cord is not recommended.
10. If your vacuum cleaner is not operating correctly, switch off the power supply and consult an authorized service agent.
11. If the supply cord is damaged, it must be replaced by the manufacturer or its service agent or a similarly qualified person in order to avoid a hazard.

This Vacuum cleaner is approved the following.

EMC Directive : 89/336/EEC , 92/31/EEC and 93/68/EEC

Low Voltage Safety Directive : 73/23/EEC and 93/68/EEC