

# BEKO



*DSA28010*

GB

Instruction for use

ES

Instrucciones de uso

IT

Istruzioni per l'uso





### **WARNING!**

In order to ensure a normal operation of your refrigerating appliance, which uses a completely environmentally friendly refrigerant the R 600a (flammable only under certain conditions) you must observe the following rules:

- ◆ Do not hinder the free circulation of the air around the appliance.
- ◆ Do not use mechanic devices in order to accelerate the defrosting, others than the ones recommended by the manufacturer.
- ◆ Do not destroy the refrigerating circuit.
- ◆ Do not use electric appliances inside the food keeping compartment, others than those that might have been recommended by the manufacturer.

### **ADVERTENCIA**

Con el fin de garantizar un funcionamiento normal de su frigorífico, que utiliza un refrigerante totalmente respetuoso con el medio ambiente, el R 600a (inflamable sólo en ciertas condiciones), se deben observar las pautas siguientes:

- ◆ No impedir la libre circulación del aire alrededor del electrodoméstico.
- ◆ Para acelerar el deshielo no se deben utilizar dispositivos mecánicos que no sean aquellos recomendados por el fabricante.
- ◆ No destruir el circuito de refrigeración.
- ◆ No utilizar aparatos eléctricos dentro del compartimento de aviso de alimentos que no sean los que pudiera haber recomendado el fabricante.

### **AVVERTENZA!**

Per garantire il funzionamento adeguato dell'elettrodomestico, che utilizza il refrigerante R600a completamente adatto all'ambiente (infiammabile solo in determinate condizioni), è necessario attenersi alle seguenti regole:

- ◆ Non ostacolare la libera circolazione dell'aria attorno all'elettrodomestico.
- ◆ Per accelerare lo sbrinamento non utilizzare dispositivi meccanici diversi da quelli consigliati dal produttore.
- ◆ Non danneggiare il circuito refrigerante.
- ◆ Non utilizzare all'interno del comparto del cibo elettrodomestici diversi da quelli consigliati dal produttore.

## **GB Index**

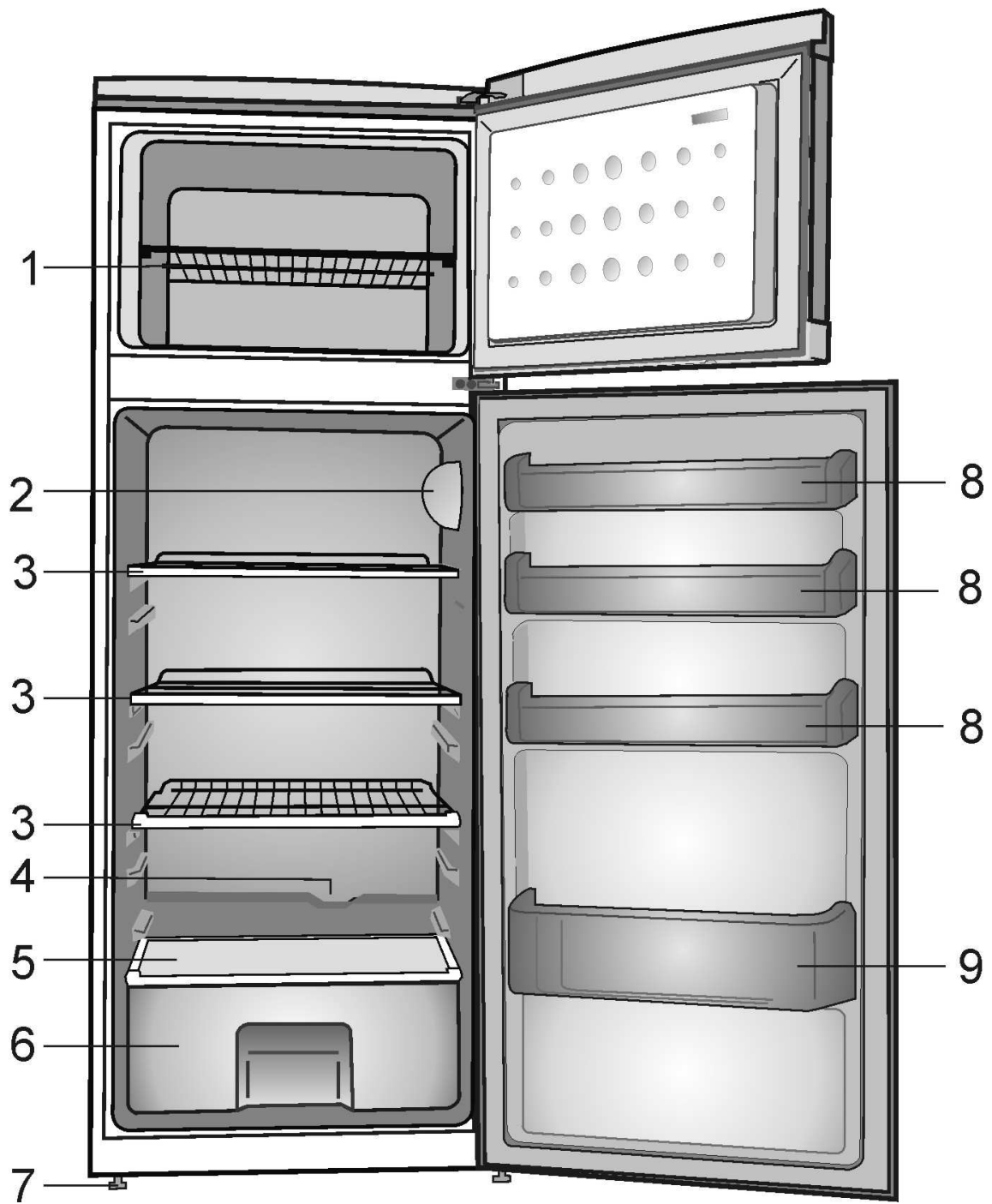
Safety first /1  
Electrical requirements /2  
Transportation instructions /2  
Installation instructions /2  
Getting to know your appliance /3  
Suggested arrangement of food in the appliance /3  
Temperature control and adjustment /4  
Before operating /4  
Storing frozen food /4  
Freezing fresh food /4  
Making ice cubes /5  
Defrosting /5  
Replacing the interior light bulb /6  
Cleaning and care /6  
Repositioning the door /6  
Do's and don'ts /7  
Trouble – shooting /8  
Technical data /8

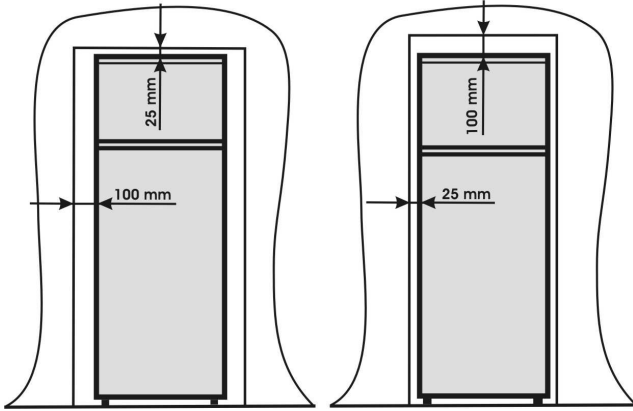
## **ES Índice**

La seguridad es lo primero /9  
Requisitos eléctricos /10  
Instrucciones de transporte /10  
Instrucciones de instalación /10  
Detalles del frigorífico /11  
Disposición recomendada de los alimentos en el frigorífico /11  
Control y ajuste de la temperatura /12  
Antes del funcionamiento /12  
Almacenamiento de alimentos congelados /12  
Congelación de alimentos frescos /12  
Cubitos de hielo /13  
Desescarchado /13  
Sustitución de la bombilla interior /13  
Conservación y limpieza /14  
Reposicionamiento de la puerta /14  
Prácticas correctas e incorrectas /14-15  
Resolución de problemas /16  
Advertencias sobre los ruidos de funcionamiento del aparato /16  
Datos técnicos /17

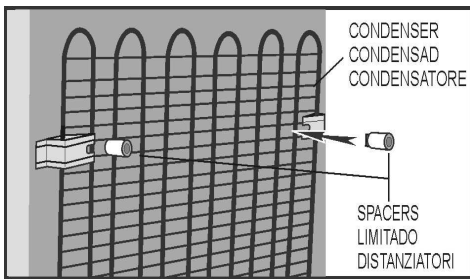
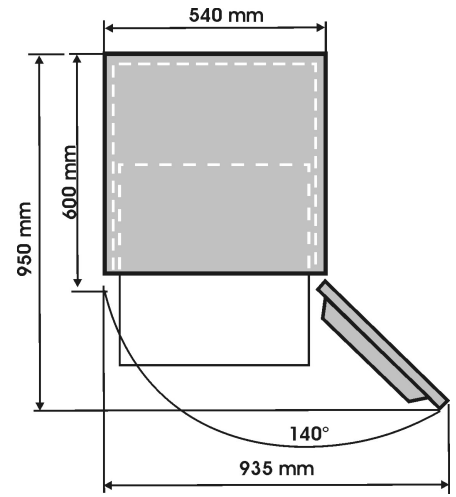
## **IT Indice**

Sicurezza iniziale /18  
Requisiti elettrici /19  
Istruzioni per il trasporto /19  
Istruzioni di installazione /19  
Conoscere l'elettrodomestico /20  
Suggerimenti sulla disposizione del cibo nell'elettrodomestico /20  
Controllo e regolazione della temperatura /20  
Prima della messa in funzione /21  
Conservazione di cibo congelato /21  
Congelamento di cibo fresco /21  
Preparazione dei cubetti di ghiaccio /21  
Sbrinamento /21  
Sostituzione della lampadina interna /22  
Pulizia e manutenzione /22  
Riposizionamento dello sportello /23  
Cosa fare e cosa non fare /23  
Risoluzione dei problemi /24  
Date tecnici /24

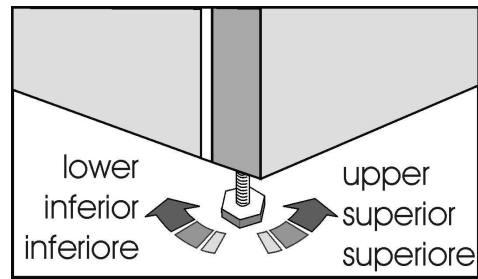




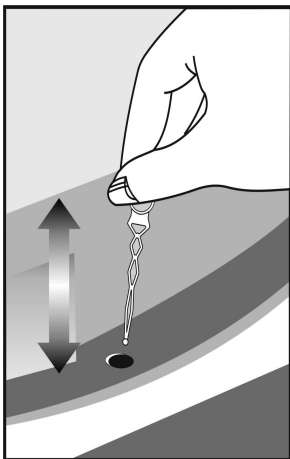
2



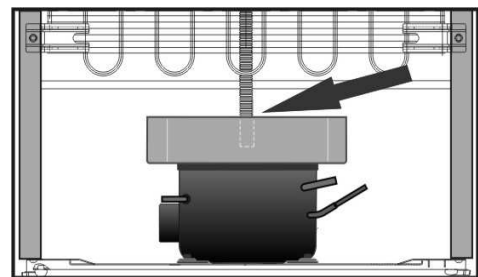
3



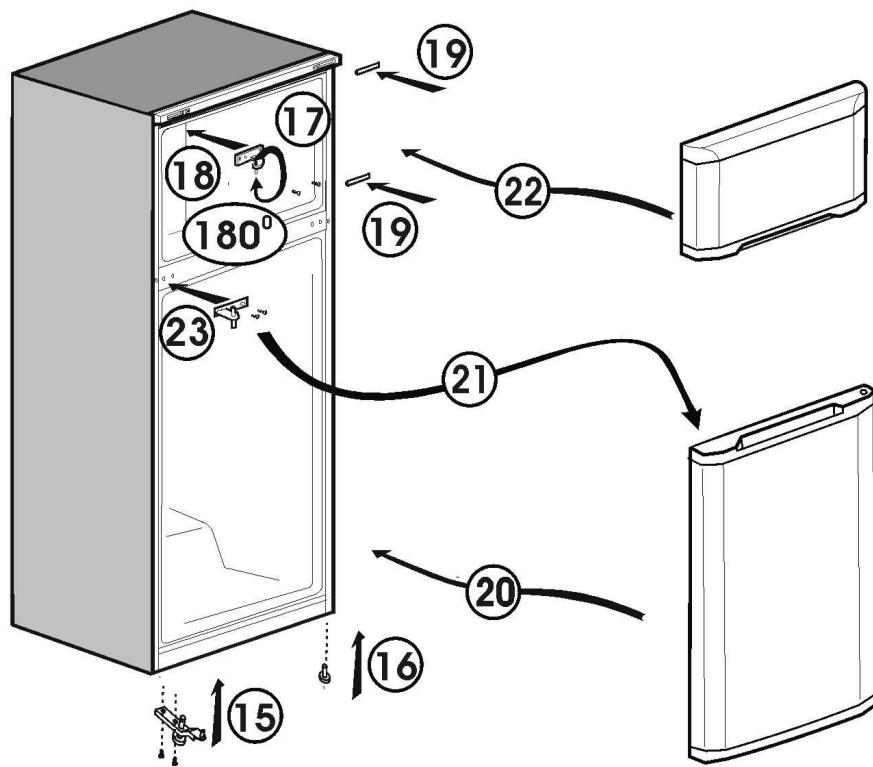
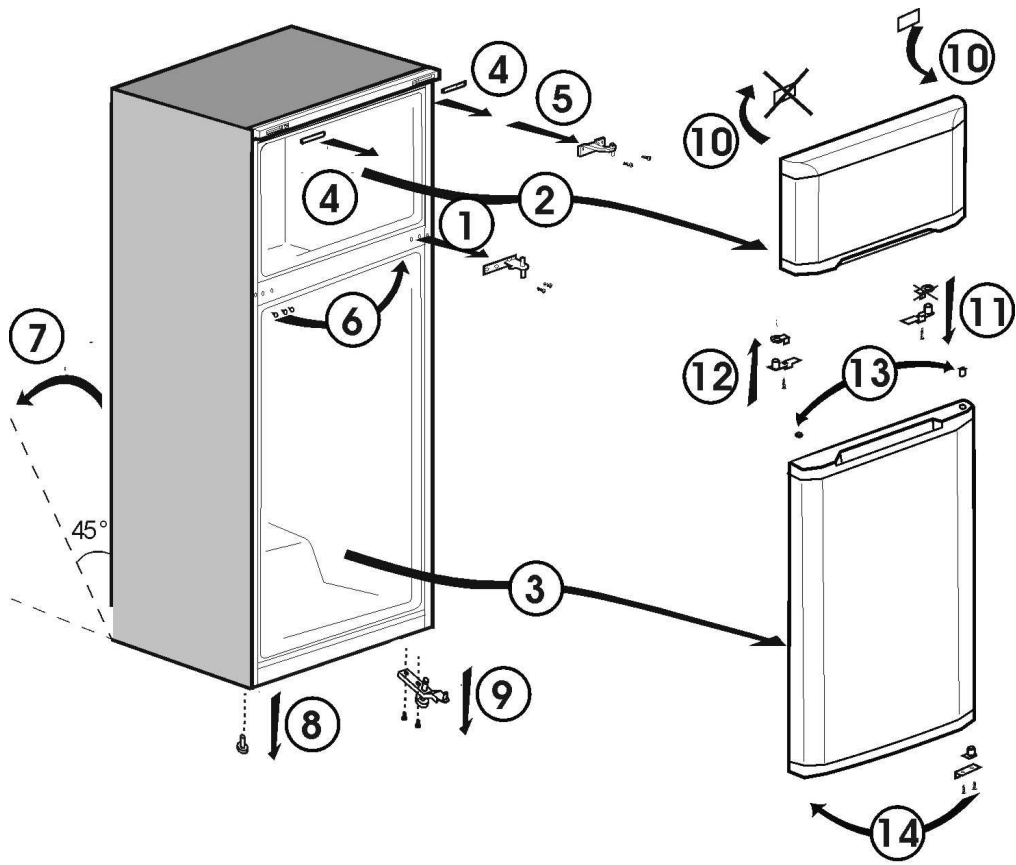
4



5



6



Congratulations on your choice of a **BEKO** Quality Appliance, designed to give you many years of service.

### ***Safety first!***

Do not connect your appliance to the electricity supply until all packing and transit protectors have been removed.

- Leave to stand for at least 4 hours before switching on, to allow compressor oil to settle, if transported horizontally.
- If you are discarding an old appliance with a lock or latch fitted to the door, ensure that it is left in a safe condition to prevent the entrapment of children.
- This appliance must only be used for its intended purpose.
- Do not dispose of the appliance on a fire. Your appliance contains non CFC substances in the insulation which are flammable. We suggest you contact your local authority for information on disposal and available facilities.
- We do not recommend use of this appliance in an unheated, cold room. (e.g. garage, conservatory, annex, shed, out-house etc.)

To obtain the best possible performance and trouble free operation from your appliance it is very important to read these instructions carefully. Failure to observe these instructions may invalidate your right to free service during the guarantee period.

Please keep these instructions in a safe place for easy reference.

**This appliance is not intended for use by person with reduced physical, sensory or mental capabilities or lack of experience and knowledge unless they have been given supervision or instruction concerning use of the appliance by a person responsible for their safety.  
Children should be supervised to ensure that they do not play with the appliance.**

## Electrical requirements

Before inserting the plug into the wall socket make sure that the voltage and the frequency shown in the rating plate inside the appliance corresponds to your electricity supply. We recommend that this appliance is connected to the mains supply via a suitably switched and fused socket in a readily accessible position.

### **Warning! This appliance must be earthed.**

Repairs to electrical equipment should only be performed by a qualified technician. Incorrect repairs carried out by an unqualified person are carry risks that may have critical consequences for the user of the appliance.

### **ATTENTION!**

This appliance operates with R 600a which is an environmental friendly but flammable gas. During the transportation and fixing of the product, care must be taken not to damage the cooling system. If the cooling system is damaged and there is a gas leakage from the system, keep the product away from open flame sources and ventilate the room for a while.

**WARNING** - Do not use mechanical devices or other means to accelerate the defrosting process, others than those recommended by the manufacturer.

**WARNING** - Do not damage the refrigerant circuit.

**WARNING** - Do not use electrical appliances inside the food storage compartments of the appliance, unless they are of the type recommended by the manufacturer.

## Transportation instructions

1. The appliance should be transported only in an upright position. The packing as supplied must be intact during transportation.
2. If during the transport the appliance, has been positioned horizontally, it must not be operated for at least 4 hours, to allow the system to settle.

3. Failure to comply with the above instructions could result in damage to the appliance, for which the manufacturer will not be held liable.

4. The appliance must be protected against rain, moisture and other atmospheric influences.

### **Important!**

- Care must be taken while cleaning/carrying the appliance not to touch the bottom of the condenser metal wires at the back of the appliance, as this could cause injury to fingers and hands.
- Do not attempt to sit or stand on top of your appliance as it is not designed for such use. You could injure yourself or damage the appliance.
- Make sure that the mains cable is not caught under the appliance during and after moving, as this could damage the cable.
- Do not allow children to play with the appliance or tamper with the controls.

## Installation instructions

1. Do not keep your appliance in a room where the temperature is likely to fall below 10 degrees C (50 degrees F) at night and/or especially in winter, as it is designed to operate in ambient temperatures between +10 and +32 degrees C (50 and 90 degrees F). At lower temperatures the appliance may not operate, resulting in a reduction in the storage life of the food.

2. Do not place the appliance near cookers or radiators or in direct sunlight, as this will cause extra strain on the appliance's functions. If installed next to a source of heat or freezer, maintain the following minimum side clearances:

From Cookers 30 mm

From Radiators 300 mm

From Freezers 25 mm

3. Make sure that sufficient room is provided around the appliance to ensure free air circulation (**Item 2**).

- Put the back airing lid to the back of your refrigerator to set the distance between the refrigerator and the wall (**Item 3**).



4. The appliance should be positioned on a smooth surface. The two front feet can be adjusted as required. To ensure that your appliance is standing upright adjust the two front feet by turning clockwise or anti-clockwise, until firm contact is secured with the floor. Correct adjustment of feet prevents excessive vibration and noise **(Item 4)**.
5. Refer to "Cleaning and Care" section to prepare your appliance for use.


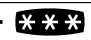

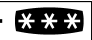
### Getting to know your appliance

(Item 1)

- 1 - Freezer shelf
- 2 - Thermostat and lamp housing
- 3 - Adjustable Cabinet shelves
- 4 - Defrost water collection channel - Drain tube
- 5 - Crisper cover
- 6 - Crisper
- 7 - Adjustable front feet
- 8 - Jars shelf
- 9 - Bottle shelf

### Suggested arrangement of food in the appliance

Guidelines for obtaining optimum storage and hygiene:

1. The fridge compartment is for the short-term storage of fresh food and drinks.
2. The freezer compartment is   rated and suitable for the freezing and storage of pre-frozen food. The recommendation for   storage as stated on the food packaging should be observed at all times.
3. Cooked dishes should be stored in airtight containers.

4. Fresh wrapped produce can be kept on the shelf. Fresh fruit and vegetables should be cleaned and stored in the crispers.

5. Bottles can be kept in the door section.

6. To store raw meat, wrap in polythene bags and place on the lowest shelf. Do not allow to come into contact with cooked food, to avoid contamination. For safety, only store raw meat for two to three days.

7. For maximum efficiency, the removable shelves should not be covered with paper or other materials to allow free circulation of cool air.

8. Do not keep vegetable oil on door shelves. Keep the food packed, wrapped or covered. Allow hot food and beverages to cool before refrigerating. Leftover canned food should not be stored in the can.

9. Fizzy drinks should not be frozen and products such as flavoured water ices should not be consumed too cold.

10. Some fruit and vegetables suffer damage if kept at temperatures near 0°C. Therefore wrap pineapples, melons, cucumbers, tomatoes and similar produce in polythene bags.

11. High-proof alcohol must be stored upright in tightly closed containers. Never store products that contain an inflammable propellant gas (e.g. cream dispensers, spray cans, etc.) or explosive substances. These are an explosion hazard.

## **Temperature control and adjustment**

Operating temperatures are controlled by the thermostat knob and may be set at any position between 1 and 5 (the coldest position).

If the thermostat knob is in position "0" the appliance is off. In this case neither the lamp for inside lighting will light.

The average temperature inside the fridge should be around +5°C (+41°F).

Therefore adjust the thermostat to obtain the desired temperature. Some sections of the fridge may be cooler or warmer (such as salad crisper and top part of the cabinet) which is quite normal. We recommend that you check the temperature periodically with a thermometer to ensure that the cabinet is kept to this temperature. Frequent door openings cause internal temperatures to rise, so it is advisable to close the door as soon as possible after use.

## **Before operating**

### **Final Check**

Before you start using the appliance check that:

1. The feet have been adjusted for perfect levelling.
2. The interior is dry and air can circulate freely at the rear.
3. The interior is clean as recommended under "Cleaning and care."
4. The plug has been inserted into the wall socket and the electricity is switched on. When the door is open the interior light will come on.

### **And note that:**

5. You will hear a noise as the compressor starts up. The liquid and gases sealed within the refrigeration system may also make some (noise), whether the compressor is running or not. This is quite normal.
6. Slight undulation of the top of the cabinet is quite normal due to the manufacturing process used; it is not a defect.

7. We recommend setting the thermostat knob midway and monitor the temperature to ensure the appliance maintains desired storage temperatures (See section Temperature Control and Adjustment).

8. Do not load the appliance immediately it is switched on. Wait until the correct storage temperature has been reached. We recommend checking the temperature with an accurate thermometer (see; Temperature Control and Adjustment).

## **Storing frozen food**

Your freezer is suitable for the long-term storage of commercially frozen foods and also can be used to freeze and store fresh food. If there is a power failure, do not open the door. Frozen food should not be affected if the failure lasts for less than 12 hrs. If the failure is longer, then the food should be checked and either eaten immediately or cooked and then re-frozen.

## **Freezing fresh food**

Please observe the following instructions to obtain the best results.

Do not freeze too large a quantity at any one time. The quality of the food is best preserved when it is frozen right through to the core as quickly as possible.

Do not exceed the freezing capacity of your appliance in 24 h.

Placing warm food into the freezer compartment causes the refrigeration machine to operate continuously until the food is frozen solid. This can temporarily lead to excessive cooling of the refrigeration compartment.

When freezing fresh food, keep the thermostat knob at medium position. Small quantities of food up to 1/2 kg. (1 lb) can be frozen without adjusting the temperature control knob.

Take special care not to mix already frozen food and fresh food.

## **Making ice cubes**

Fill the ice - cube tray 3/4 full with water and place it in the freezer. Loosen frozen trays with a spoon handle or a similar implement; never use sharp-edged objects such as knives or forks.

## **Defrosting**

### **A) Fridge compartment**

The fridge compartment defrosts automatically. The defrost water runs to the drain tube via a collection container at the back of the appliance **(Item 5)**.

During defrosting, water droplets may form at the back of the fridge compartment where a concealed evaporator is located. Some droplets may remain on the liner and refreeze when defrosting is completed. Do not use pointed or sharp-edged objects such as knives or forks to remove the droplets which have refrozen.

If, at any time, the defrost water does not drain from the collection channel, check that no food particles have blocked the drain tube. The drain tube can be cleared with a pipe-cleaner or similar implement.

Check that the tube is permanently placed with its end in the collecting tray on the compressor to prevent the water spilling on the electric installation or on the floor **(Item 6)**.

### **B) Freezer compartment**

Defrosting is very straightforward and without mess, thanks to a special defrost collection basin.

Defrost twice a year or when a frost layer of around 7 (1/4") mm has formed. To start the defrosting procedure, switch off the appliance at the socket outlet and pull out the mains plug.

All food should be wrapped in several layers of newspaper and stored in a cool place (e.g. fridge or larder).

Containers of warm water may be placed carefully in the freezer to speed up the defrosting.

Do not use pointed or sharp-edged objects, such as knives or forks to remove the frost. Never use hairdryers, electrical heaters or other such electrical appliances for defrosting. Sponge out the defrost water collected in the bottom of the freezer compartment. After defrosting, dry the interior thoroughly. Insert the plug into the wall socket and switch on the electricity supply.

### **Replacing the interior light bulb**

Should the light fail, switch off at the socket outlet and pull out the mains plug.

Then ensure the bulb is screwed securely in the bulb holder. Replace the plug and switch on.

If the light still fails, obtain a replacement E14 screw-cap type 15 Watt (Max) bulb from your local electrical store and then fit it.

Carefully dispose of the burnt-out light bulb immediately.

### **Cleaning and care**

1. We recommend that you switch off the appliance at the socket outlet and pull out the mains plug before cleaning.

2. Never use any sharp instruments or abrasive substances, soap, household cleaner, detergent or wax polish for cleaning.

3. Use luke warm water to clean the cabinet of the appliance and wipe it dry.

4. Use a damp cloth wrung out in a solution of one teaspoon of bicarbonate of soda to one pint of water to clean the interior and wipe it dry.

5. Make sure that no water enters the temperature control box.

6. If the appliance is not going to be used for a long period of time, switch it off, remove all food, clean it and leave the door ajar.

7. We recommend that you polish the metal parts of the product (i.e. door exterior, cabinet sides) with a silicone wax (car polish) to protect the high quality paint finish.

8. Any dust that gathers on the condenser, which is located at the back of the appliance, should be removed once a year with a vacuum cleaner.

9. Check door seals regularly to ensure they are clean and free from food particles.

10. Never:

- Clean the appliance with unsuitable material; eg petroleum based products.
- Subject it to high temperatures in any way,
- Scour, rub etc., with abrasive material.

11. Removal of door tray :

- To remove a door tray, remove all the contents and then simply push the door tray upwards from the base.

12. Make sure that the special plastic container at the back of the appliance which collects defrost water is clean at all times. If you want to remove the tray to clean it, follow the instructions below:

- Switch off at the socket outlet and pull out the mains plug
- Gently uncrimp the stud on the compressor, using a pair of pliers, so that the tray can be removed
- Lift it up.
- Clean and wipe it dry
- Reassemble, reversing the sequence and operations

13. Large accumulation of ice will impair the performance of the freezer.

### **Repositioning the door**

Proceed in numerical order **(Item 7)**.

**Do's and don'ts**

- Do-** Clean and defrost your appliance regularly (See "Defrosting")
- Do-** Keep raw meat and poultry below cooked food and dairy products.
- Do-** Take off any unusable leaves on vegetables and wipe off any soil.
- Do-** Leave lettuce, cabbage, parsley and cauliflower on the stem.
- Do-** Wrap cheese firstly in greaseproof paper and then in a polythene bag, excluding as much air as possible. For best results, take out of the fridge compartment an hour before eating.
- Do-** Wrap raw meat and poultry loosely in polythene or aluminium foil. This prevents drying.
- Do-** Wrap fish and offal in polythene bags.
- Do-** Wrap food with a strong odour or which may dry out, in polythene bags, or aluminium foil or place in airtight container.
- Do-** Wrap bread well to keep it fresh.
- Do-** Chill white wines, beer, lager and mineral water before serving.
- Do-** Check contents of the freezer every so often.
- Do-** Keep food for as short a time as possible and adhere to "Best Before" and "Use by" etc. dates.
- Do-** Store commercially frozen food in accordance with the instructions given on the packets.
- Do-** Always choose high quality fresh food and be sure it is thoroughly clean before you freeze it.
- Do-** Prepare fresh food for freezing in small portions to ensure rapid freezing.
- Do-** Wrap all food in aluminium foil or freezer quality polythene bags and make sure any air is excluded.
- Do-** Wrap frozen food immediately after purchasing and put it in to the freezer as soon as possible.
- Do-** Defrost food in the fridge compartment.
- Don't-** Store bananas in your fridge compartment.
- Don't-** Store melon in your fridge. It can be chilled for short periods as long as it is wrapped to prevent it flavouring other food.
- Don't-** Cover the shelves with any protective materials which may obstruct air circulation.
- Don't-** Store poisonous or any dangerous substances in your appliance. It has been designed for the storage of edible foodstuffs only.
- Don't-** Consume food which has been refrigerated for an excessive length of time.
- Don't-** Store cooked and fresh food together in the same container. They should be packaged and stored separately.
- Don't-** Let defrosting food or food juices drip onto food.
- Don't-** Leave the door open for long periods, as this will make the appliance more costly to run and cause excessive ice formation.
- Don't-** Use sharp edged objects such as knives or forks to remove the ice.
- Don't-** Put hot food into the appliance. Let it cool down first.
- Don't-** Put liquid-filled bottles or sealed cans containing carbonated liquids into the freezer, as they may burst.
- Don't-** Exceed the maximum freezing loads when freezing fresh food.
- Don't-** Give children ice-cream and water ices direct from the freezer. The low temperature may cause 'freezer burns' on lips.
- Don't-** Freeze fizzy drinks.
- Don't-** Try to keep frozen food which has thawed; it should be eaten within 24 hours or cooked and refrozen.
- Don't-** Remove items from the freezer with wet hands.

### **Trouble - shooting**

If the appliance does not operate when switched on, check;

- That the plug is inserted properly in the socket and that the power supply is on. (To check the power supply to the socket, plug in another appliance).
- Whether the fuse has blown/circuit breaker has tripped/main distribution switch has been turned off.
- That the temperature control has been set correctly.
- That the new plug is wired correctly, if you have changed the fitted, moulded plug.

If the appliance is still not operating at all after above checks, contact the dealer from whom you purchased the unit.

Please ensure that above checks have been done, as a charge will be made if no fault is found.

### **Technical data**

Brand	<b>BEKO</b>
Appliance type	<b>FRIDGE - FREEZER</b>
Total gross volume (l.)	280
Total usable volume (l.)	261
Freezer usable volume (l.)	51
Refrigerator useful volume	210
Freezing capacity (kg/24 h)	4
Energy class (1)	A
Power consumption (kWh/year) (2)	301
Autonomy (h)	12
Noise [dB(A) re 1 pW]	40
Ecological refrigerating agent R600a	
(1) Energy class : A . . . G (A = economical . . . G = less economical)	
(2) The real power consumption depends on using conditions and appliance location.	

Enhorabuena por haber elegido un electrodoméstico de alta calidad de **BEKO**, diseñado para prestar servicio durante muchos años.

### ***La seguridad es lo primero***

No conectar el frigorífico a la toma de corriente hasta que no se hayan retirado todos los protectores de embalaje y transporte.

- Si se transportó horizontalmente, dejar el frigorífico en posición normal al menos 4 horas antes de conectarlo, para que el aceite del compresor se asiente.
- Al deshacerse de un frigorífico antiguo con cerradura o pestillo en la puerta, comprobar que queda en una posición segura que impida que los niños puedan quedar atrapados.
- Este frigorífico sólo se debe utilizar para las funciones para las que se ha diseñado.
- No arrojar el frigorífico al fuego. Su aislamiento contiene sustancias inflamables sin CFC. Es recomendable ponerse en contacto con las autoridades locales para obtener información sobre residuos y centros de reciclaje.
- No se recomienda utilizar este frigorífico en lugares fríos sin calefacción. (Por ejemplo, garajes, invernaderos, cobertizos, cabañas, etc.)

Para conseguir un funcionamiento sin averías y el mejor rendimiento posible del frigorífico, es muy importante leer cuidadosamente estas instrucciones. El incumplimiento de estas instrucciones puede invalidar el derecho a obtener asistencia gratuita durante el periodo de garantía.

Conservar estas instrucciones en lugar seguro y donde puedan consultarse fácilmente.

**Este aparato no ha sido diseñado para ser usado por personas con discapacidades físicas, sensoriales o mentales; tampoco para personas sin experiencia o conocimiento del aparato, a no ser que estén supervisadas o instruidas por alguien responsable de su seguridad.**

**Los niños deben de estar controlados para que no jueguen con el aparato.**

## Requisitos eléctricos

Antes de conectar el enchufe a la toma de corriente, se debe comprobar que el voltaje y la frecuencia mostradas en la placa de características del interior del frigorífico se corresponden con los de la alimentación eléctrica.

Se recomienda conectar este frigorífico a la red de suministro eléctrico mediante una toma de corriente adecuada, con fusible e interruptor y en una posición de fácil acceso.

### **Advertencia. Este frigorífico debe disponer de toma de tierra.**

Las reparaciones del equipo eléctrico sólo deben ser realizadas por técnicos cualificados. Las reparaciones incorrectas realizadas por personal no cualificado comportan riesgos que pueden acarrear graves consecuencias al usuario del frigorífico.

### **¡ATENCIÓN!**

Este electrodoméstico funciona con R 600a, un gas respetuoso con el medio ambiente pero inflamable. Durante el transporte y la fijación del electrodoméstico, es necesario tener cuidado para no dañar el sistema de refrigeración. Si el sistema de refrigeración sufre algún daño y se produce una fuga de gases del sistema, mantenga el producto alejado de fuentes de ignición y ventile el recinto durante el tiempo adecuado.

**ADVERTENCIA:** Utilizar sólo los dispositivos mecánicos o los medios recomendados por el fabricante para acelerar el proceso de desescarchado.

**ADVERTENCIA:** Evitar daños en el circuito de refrigeración.

**ADVERTENCIA:** No utilizar aparatos eléctricos dentro de los compartimentos para alimentos del frigorífico, a menos que sean del tipo recomendado por el fabricante.

## Instrucciones de transporte

1. El frigorífico sólo se debe transportar en posición vertical. El embalaje debe quedar intacto tras el transporte.
2. Si el frigorífico ha estado colocado horizontalmente durante el transporte, no

ponerlo en funcionamiento hasta después de pasadas al menos 4 horas, para permitir que el sistema se asiente.

3. El incumplimiento de estas instrucciones puede provocar daños en el frigorífico y el fabricante no se considerará responsable de los mismos.

4. El frigorífico debe estar protegido de la lluvia, la humedad y demás agentes atmosféricos.

### **¡Importante!**

- Se debe poner especial cuidado al limpiar o desplazar el frigorífico, para no tocar el extremo inferior de las láminas metálicas del condensador, que se encuentran en la parte trasera del aparato, ya que pueden provocar heridas en dedos y manos.
- No ponerse de pie ni sentarse en la parte superior del frigorífico, ya que no está diseñado para tal fin. Podría sufrir lesiones o causar daños al electrodoméstico.
- Comprobar que el frigorífico no queda apoyado sobre el cable principal durante ni después del desplazamiento, ya que puede dañar el cable.
- No permitir a los niños jugar con el frigorífico ni jugar con sus mandos.

## Instrucciones de instalación

1. No instalar el frigorífico en habitaciones donde la temperatura pueda descender por debajo de los 10 grados centígrados por la noche o especialmente en invierno, ya que se ha diseñado para funcionar en ambientes con temperaturas entre 10 y 32 grados centígrados. A temperaturas inferiores, es posible que el frigorífico no funcione, reduciéndose el periodo de almacenamiento de los alimentos.

2. No colocar el frigorífico cerca de cocinas o radiadores ni bajo la luz solar directa, ya que el hacerlo puede provocar una mayor carga para las funciones del frigorífico. Si se instala cerca de una fuente de calor o de un congelador, mantener las distancias laterales mínimas siguientes:

Con respecto a cocinas, 30 mm.

Con respecto a radiadores, 300 mm.

Con respecto a congeladores, 25 mm.



3. Comprobar que hay espacio suficiente en torno al frigorífico para garantizar la circulación de aire (**figura 2**).

• Poner la tapa de ventilación posterior en la parte trasera del frigorífico para comprobar la distancia entre el frigorífico y la pared (**figura 3**).

4. El frigorífico sólo se debe colocar sobre superficies lisas. Los dos pies delanteros se pueden ajustar si es necesario. Para garantizar la verticalidad del frigorífico, ajustar los dos pies delanteros girándolos a derecha o izquierda hasta que el contacto con el suelo sea firme y seguro. El ajuste correcto de los pies evita vibraciones o ruidos excesivos (**figura 4**).

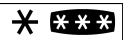
5. Consultar la sección "Conservación y limpieza" para preparar el frigorífico para su utilización.

### Detalles del frigorífico (figura 1)

- 1 - Reja congelador
- 2 - Alojamiento de termostato y bombilla
- 3 - Estantes interiores ajustables
- 4 - Canal de recogida - tubo de desagüe
- 5 - Tapa del cajón de frutas y verduras
- 6 - Cajón de frutas y verduras
- 7 - Pie ajustable
- 8 - Estante para botes
- 9 - Estante para botellas

### Disposición recomendada de los alimentos en el frigorífico

Normas para conseguir el almacenamiento e higiene óptimos:

1. El compartimento del frigorífico es para almacenamiento breve de alimentos frescos y bebidas.
2. El compartimento del congelador está clasificado como  y es apto para congelar y almacenar alimentos precongelados.

Se deben seguir las recomendaciones para el almacenamiento  que figuran en el envase de alimentos en todo momento.

3. Los platos cocinados deben almacenarse en recipientes herméticos.

4. Los productos frescos envueltos deben conservarse en el estante. Las frutas y verduras frescas deben estar limpias y almacenarse en los cajones correspondientes.

5. Las botellas se pueden conservar en la sección de la puerta.

6. Para almacenar carne cruda, envolverla en bolsas de polietileno y colocarla en el estante inferior. No permitir que la carne cruda entre en contacto con los alimentos cocinados, para evitar contaminaciones. Por seguridad, almacenar carne cruda sólo durante dos o tres días.

7. Para conseguir la máxima eficiencia, no cubrir los estantes desmontables con papel ni otros materiales que impedirían la circulación libre del aire.

8. No conservar aceite vegetal en los estantes de la puerta. Conservar los alimentos empaquetados, envueltos y cubiertos. Dejar que los alimentos y las bebidas calientes se enfríen antes de congelarlos. Los restos de alimentos enlatados no se deben almacenar dentro de sus latas.

9. No congelar bebidas gaseosas. No consumir demasiado fríos productos como los helados de agua con sabores.

10. Algunas frutas y verduras se deterioran si se almacenan a temperaturas cercanas a 0 °C. Por lo tanto, las piñas, los melones, los pepinos, los tomates y productos similares deben envolverse en bolsas de polietileno.

11. Las bebidas alcohólicas de alta graduación se deben almacenar en posición vertical en recipientes bien cerrados. No almacenar nunca productos que contengan gases inflamables (por ejemplo, botes de nata a presión, aerosoles, etc.) ni sustancias explosivas. Puede haber peligro de explosión.

## **Control y ajuste de la temperatura**

El mando del termostato controla la temperatura de funcionamiento y se puede situar en cualquier posición entre 1 y 5 (la posición más fría).

Si la mano del termostato está en posición „0” el aparato está apagado. En este caso ni la bombilla para el iluminado interior se va encender.

La temperatura media del interior del frigorífico debe estar alrededor de 5 °C. Por lo tanto, ajustar el termostato para conseguir la temperatura deseada. Algunas zonas del frigorífico pueden estar más frías o más calientes (como el cajón de ensaladas y la parte superior del armario), lo que es perfectamente normal. Se recomienda comprobar periódicamente la temperatura con un termómetro para comprobar que el armario se encuentre a esta temperatura. La apertura frecuente de la puerta provoca un aumento de la temperatura, por lo que se recomienda cerrar la puerta lo antes posible tras su uso.

## **Antes del funcionamiento**

### **Comprobación final**

Antes de empezar a utilizar el frigorífico, comprobar que:

1. Los pies se han ajustado hasta conseguir una nivelación perfecta.
2. El interior está seco y el aire circula libremente por la parte trasera.
3. El interior está limpio conforme a las recomendaciones de la sección “Conservación y limpieza”.
4. Se ha introducido el enchufe en la toma de corriente y se ha activado la electricidad. Cuando se abre la puerta, la luz interior se enciende.

### **Y observar que:**

5. Se oye un sonido cuando arranca el compresor. Los líquidos y gases del sistema de refrigeración también pueden hacer ruidos, esté o no el compresor en funcionamiento. Esto es perfectamente normal.

6. También es normal una ligera ondulación en la parte superior del armario debido al proceso de fabricación utilizado. No es un defecto.

7. Se recomienda ajustar el mando del termostato en la posición intermedia y supervisar la temperatura para asegurarse de que el frigorífico mantenga las temperaturas de almacenamiento deseadas (consultar la sección “Control y ajuste de la temperatura”).

8. No cargar el frigorífico inmediatamente después de encenderlo. Esperar hasta que alcance la temperatura de conservación correcta. Se recomienda comprobar la temperatura con un termómetro de precisión (consultar la sección Control y ajuste de la temperatura).

## **Almacenamiento de alimentos congelados**

El congelador es adecuado para almacenar alimentos precongelados durante periodos prolongados, así como para congelar y almacenar carne fresca.

Si se produce un corte de corriente, no abrir la puerta. Los alimentos congelados no se verán afectados si el corte de corriente dura menos de 12 horas. Si dura más tiempo, se debe comprobar los alimentos para consumirlos inmediatamente o cocinarlos y congelarlos de nuevo.

## **Congelación de alimentos frescos**

Para obtener los mejores resultados, se deben tener en cuenta las instrucciones siguientes.

No congelar grandes cantidades de una vez. La calidad de los alimentos se mantiene mejor si la congelación alcanza su interior lo antes posible.

No superar la cantidad de alimentos que es capaz de congelar el frigorífico en 24 h. Si se introducen alimentos calientes en el compartimento del congelador, se obliga a la máquina de refrigeración a funcionar de forma continua hasta congelarlos totalmente. Esto puede provocar temporalmente un enfriamiento excesivo del compartimento de refrigeración.

Al congelar alimentos frescos, mantenga el mando del termostato en la posición intermedia. Las cantidades pequeñas de hasta 1/2 kg. se pueden congelar sin necesidad de ajustar el mando de control de temperatura.

Poner especial cuidado en no mezclar alimentos ya congelados con alimentos frescos.

### **Cubitos de hielo**

Rellenar la cubitera hasta el 3/4 de su capacidad y colocarla en el congelador. Desprender las bandejas congeladas con una cuchara o instrumento similar. No utilizar nunca objetos con punta ni bordes afilados, como cuchillos o tenedores.

### **Desescarchado**

#### **A) Compartimento del frigorífico**

El compartimento del frigorífico se desescarcha automáticamente. El agua del desescarchado circula hasta el tubo de desagüe a través del recipiente de recogida situado en la parte trasera del frigorífico (**figura 5**).

Durante el desescarchado, se pueden formar gotas de agua en la parte trasera del compartimento del frigorífico donde se encuentra empotrado el evaporador. Algunas gotas pueden permanecer en el revestimiento interior y volver a congelarse después de finalizado el desescarchado. No utilizar nunca objetos con punta o bordes afilados, como cuchillos o tenedores, para retirar las gotas que se hayan vuelto a congelar.

Si en cualquier momento el agua del desescarchado no se desagua por el canal de recogida, comprobar que no haya restos de alimentos que obstruyan el tubo de desagüe. El tubo de desagüe se puede limpiar con limpiadores de tuberías o productos similares. Compruebe que el tubo está permanentemente situado con su extremo en la bandeja de recogida para prevenir que el agua se vierta sobre la instalación eléctrica o en el suelo (**figura 6**).

#### **B) Compartimento del congelador**

El desescarchado es muy sencillo y no presenta complicaciones gracias al especial recipiente de recogida.

Desescarchar dos veces al año o cuando se forme una capa de hielo de unos 7 mm. Para iniciar el proceso de desescarchado, desenchufar el frigorífico retirando el enchufe de la toma de corriente.

Los alimentos deben ser envueltos en varias capas de papel de periódico y situados en un lugar frío (por ejemplo, un frigorífico o despensa).

Para acelerar el desescarchado, se pueden colocar cuidadosamente recipientes con agua caliente en el congelador.

No utilizar nunca objetos con punta o bordes afilados, como cuchillos o tenedores, para retirar el hielo.

No utilizar nunca secadores de pelo, calentadores eléctricos u otros aparatos eléctricos para forzar el desescarchado.

Recoger con una esponja el agua de desescarchado almacenada en la parte inferior del compartimento del congelador.

Después de desescarchar, secar completamente el interior. Introducir el enchufe en la toma de corriente y encender el interruptor.

#### **Sustitución de la bombilla interior**

Si la luz se avería, desenchufar el frigorífico retirando el enchufe de la toma de corriente.

A continuación, comprobar que la bombilla esté bien enroscada en el casquillo. Volver a colocar el enchufe y encender el frigorífico.

Si la luz sigue fallando, adquirir una bombilla de 15 vatios (máx.) de casquillo de rosca E14 y colocarla.

Deshacerse con cuidado de la bombilla defectuosa.

## Conservación y limpieza

1. Se recomienda desenchufar el frigorífico retirando el enchufe de la toma de corriente antes de realizar la limpieza.

2. No utilizar nunca en la limpieza instrumentos afilados o sustancias abrasivas, jabones, limpiadores domésticos, detergentes ni ceras abrillantadoras.

3. Utilizar agua tibia para limpiar el armario del frigorífico y secarlo con un paño.

4. Utilizar un paño humedecido con la solución de una cucharilla de café de bicarbonato sódico en un vaso grande de agua, para limpiar el interior. Secarlo con un trapo.

5. Asegurarse de que no entra agua en la caja de control de la temperatura.

6. Si no se va a utilizar el frigorífico durante un largo periodo, desenchufarlo, retirar toda la comida, limpiarlo y dejar la puerta entreabierta.

7. Se recomienda pulir las piezas de metal del producto (por ejemplo, la puerta exterior, los laterales del armario) con una cera de silicona (cera para coches) para proteger los acabados de alta calidad.

8. El polvo acumulado en el condensador, situado en la parte trasera del frigorífico, debe retirarse una vez al año con un aspirador.

9. Comprobar regularmente los cierres herméticos de la puerta para asegurarse de que estén limpios y sin restos de alimentos.

10. Nunca:

- Limpiar el frigorífico con material inadecuado; por ejemplo, productos derivados del petróleo.

- Exponerlo a altas temperaturas.

- Restregarlo, frotarlo, etc., con materiales abrasivos.

11. Retirada de la bandeja de la puerta:

- Para retirar la bandeja de la puerta, retirar todo su contenido y, a continuación, empujar simplemente la bandeja hacia arriba desde su base.

12. Comprobar que el recipiente especial de plástico de la parte posterior del frigorífico, que recoge el agua del desescarchado, esté limpio en todo momento. Si se desea retirar la bandeja para limpiarla, seguir las instrucciones siguientes:

- Desenchufar el frigorífico retirando el enchufe de la toma de corriente.

- Con unos alicates, ondular ligeramente el aro del compresor para poder retirar la bandeja.

- Levantarlo.

- Limpiarlo y secarlo.

- Volver a colocarlo, invirtiendo la secuencia de operaciones.

13. Las grandes acumulaciones de hielo afectan al funcionamiento del congelador.

## Reposicionamiento de la puerta

Continúe en orden de número (figura 7).

## Prácticas correctas e incorrectas

**Correcto-** Limpiar y desescarchar periódicamente el frigorífico (consultar la sección "Desescarchado")

**Correcto-** Conservar la carne cruda y de ave bajo los productos cocinados y los productos lácteos.

**Correcto-** Retirar las hojas inservibles de las verduras y limpiar toda suciedad.

**Correcto-** Dejar la lechuga, el repollo, el perejil y la coliflor con el tallo.

**Correcto-** Envolver el queso primero en papel resistente a la grasa y, a continuación, en una bolsa de polietileno, sacando todo el aire posible. Para obtener los mejores resultados, sacar los alimentos del compartimento del frigorífico una hora antes de comerlos.

**Correcto-** Envolver la carne cruda y de ave en polietileno o papel de aluminio sin apretar. Esto evita que se sequen.

**Correcto-** Envolver el pescado y los despojos en bolsas de polietileno.

**Correcto-** Envolver en bolsas de polietileno o en papel de aluminio los alimentos que desprendan olores fuertes o que se puedan secar, o bien introducirlos en recipientes herméticos.

**Correcto-** Envolver bien el pan para mantenerlo fresco.

**Correcto-** Enfriar los vinos blancos, las cervezas y el agua mineral antes de servirlos.

**Correcto-** Comprobar el contenido del congelador de vez en cuando.

**Correcto-** Conservar los alimentos el menor tiempo posible y cumpla sus fechas de caducidad.

**Correcto-** Almacenar los alimentos precongelados conforme a las instrucciones proporcionadas en los envases.

**Correcto-** Elegir siempre alimentos frescos de alta calidad y comprobar que estén totalmente limpios antes de congelarlos.

**Correcto-** Preparar los alimentos frescos para su congelación en pequeñas raciones para garantizar su rápida congelación.

**Correcto-** Envolver todos los alimentos en papel de aluminio o bolsas de polietileno para congelador, haciendo salir todo el aire.

**Correcto-** Envolver los alimentos congelados inmediatamente después de adquirirlos e introducirlos en el congelador lo antes posible.

**Correcto-** Descongelar los alimentos en el compartimento del frigorífico.

**Incorrecto-** Almacenar los plátanos en el compartimento del frigorífico.

**Incorrecto-** Almacenar melones en el frigorífico. Se deben enfriar por cortos periodos y envolver para evitar que den olor a otros alimentos.

**Incorrecto-** Cubrir los estantes con cualquier material protector que pueda obstruir la circulación de aire.

**Incorrecto-** Almacenar sustancias venenosas o peligrosas en el frigorífico. Ha sido diseñado sólo para el almacenamiento de alimentos comestibles.

**Incorrecto-** Consumir alimentos almacenados durante periodos excesivamente largos.

**Incorrecto-** Almacenar alimentos frescos y cocinados en un mismo recipiente. Deben envolverse y almacenarse de forma separada.

**Incorrecto-** Permitir que alimentos descongelados o los jugos de los alimentos goteen sobre otros alimentos.

**Incorrecto-** Dejar la puerta abierta durante largos periodos, lo que encarece el coste de funcionamiento del frigorífico y provoca excesiva formación de hielo.

**Incorrecto-** Utilizar objetos con punta o bordes afilados, como cuchillos o tenedores, para retirar el hielo.

**Incorrecto-** Introducir alimentos calientes en el frigorífico. Dejar primero que se enfríen.

**Incorrecto-** Colocar en el congelador botellas o botes herméticos completamente rellenos de líquidos gaseosos, ya que pueden reventar.

**Incorrecto-** Superar la carga máxima de congelación al congelar alimentos frescos.

**Incorrecto-** Entregar a los niños helados o cubitos de hielo directamente del congelador. La baja temperatura puede provocar quemaduras en los labios.

**Incorrecto-** Congelar bebidas gaseosas.

**Incorrecto-** Intentar congelar de nuevo alimentos que se han descongelado. Deben consumirse antes de 24 horas o cocinarse y volverse a congelar.

**Incorrecto-** Retirar alimentos del congelador con las manos húmedas.

### **Resolución de problemas**

Si el frigorífico no funciona al conectarlo, comprobar:

- Si se ha introducido correctamente el enchufe en la toma de corriente y si la alimentación eléctrica está activada. (Para comprobar la alimentación eléctrica de la toma de corriente, enchufe otro electrodoméstico.)
- Si el fusible está fundido, si el automático ha saltado o si el interruptor principal está apagado.
- Si el control de temperatura está ajustado correctamente.
- Si el nuevo enchufe está correctamente cableado, en caso de que se haya cambiado el enchufe.

Si el frigorífico sigue sin funcionar después de las comprobaciones anteriores, ponerse en contacto con el proveedor que lo suministró. Asegurarse de que se realicen las comprobaciones anteriores, ya que en caso de que realmente no haya ninguna avería, el proveedor puede exigirle sus gastos.

### **Advertencias sobre los ruidos de funcionamiento del aparato**

Con objeto de mantener constante la temperatura en el interior de su frigorífico, el compresor se conecta de tiempo en tiempo. Esto origina unos ruidos que son perfectamente naturales y se deben a razones técnicas. Tan pronto como el aparato ha alcanzado la temperatura de servicio, la intensidad de estos ruidos disminuye sensiblemente.

Unos ruidos como de **murmullos sordos** son inevitables durante el funcionamiento del compresor. Pueden aumentar brevemente de intensidad al conectarse el motor (compresor) del aparato.

Los **ruidos en forma de gorgoteo** se producen al penetrar el líquido refrigerante en los tubos delgados una vez que ha entrado en funcionamiento el compresor.

Unos breves **ruidos en forma de clic** sólo se escuchan cuando el termostato conecta y desconecta el compresor.

### **Unos ruidos en forma de chasquido pueden surgir ...**

- durante el ciclo de desescarchado del aparato
- al enfriarse o calentarse el aparato (dilatación del material)

**En caso de alcanzarse un nivel sonoro excesivamente elevado durante el funcionamiento del frigorífico, ello tal vez tenga una fácil solución.**

### **El aparato se encuentra en posición desnivelada**

Nivelarlo con los soportes roscados que incorpora o calzándolo.

### **En caso de estar el aparato en contacto con muebles u otros aparatos**

Separarlo de los muebles o aparatos con los que estuviera en contacto.

### **Los cajones, estantes y soportes oscilan o están agarrotados**

Revisar los elementos afectados. En caso necesario, volverlos a colocar en su posición correcta.

### **Las botellas o los recipientes en el aparato entran en contacto mutuo**

Separar algo las botellas y los recipientes.

**Datos técnicos**

Marca	<b>BEKO</b>
Tipo de frigorífico	<b>FRIGORIFICO-CONGELADOR</b>
Capacidad bruta total (litros)	280
Capacidad útil total (litros)	261
Capacidad útil del congelador (litros)	51
Capacidad útil del frigorífico	210
Capacidad de congelación (kg/24 h)	4
Clasificación de energía (1)	A
Consumo de potencia (kWh/año) (2)	301
Autonomía (h)	12
Nivel de ruido [dB(A) a 1 pW]	40
Agente refrigerador ecológico R134 a	
(1) Clasificación de energía: A . . . G (A = económico. . . G = menos económico)	
(2) El consumo de potencia real depende de las condiciones de uso y la ubicación del frigorífico.	

Este producto incorpora el símbolo de recogida selectiva de residuos de equipos eléctricos y electrónicos.

Ello significa que este producto debe ser manipulado teniendo en cuenta la Directiva Europea 2002/96/EC, en orden de ser reciclado o recuperado para minimizar su impacto en el medio ambiente. Para más información rogamos contacte con las autoridades locales o regionales más próximas a su domicilio.

Los productos electrónicos no incluidos en el proceso de recogida selectiva son potencialmente peligrosos para el medio ambiente y la salud humana debido a la presencia de ciertas sustancias.

Complimenti per la scelta di un **BEKO** elettrodomestico di qualità, progettato per una lunga durata.

### ***Innanzitutto la sicurezza!***

Non collegare l'elettrodomestico all'alimentazione elettrica finché non sono stati rimossi l'imballaggio e le protezioni per il trasporto.

- Lasciare l'elettrodomestico diritto per almeno 4 ore prima di accenderlo, per consentire all'olio del compressore di risistemarsi se è stato trasportato in modo orizzontale.
- Se si dismette un elettrodomestico vecchio con lucchetto o chiusura sullo sportello, assicurarsi che sia in condizione di sicurezza per evitare che un bambino vi resti intrappolato.
- Questo elettrodomestico deve essere utilizzato esclusivamente per l'uso per cui è stato progettato.
- Non gettare l'elettrodomestico nel fuoco. L'elettrodomestico contiene sostanze non CFC nel materiale isolante che sono infiammabili. Si consiglia di contattare l'autorità locale per informazioni sullo smaltimento e sugli impianti disponibili.
- È sconsigliato l'utilizzo dell'elettrodomestico in ambienti freddi e non riscaldati (ad esempio garage, serra, dipendenza, rimessa, giardino, etc.).

Per ottenere le migliori prestazioni possibili e un funzionamento senza problemi è molto importante leggere con attenzione le seguenti informazioni. La mancata osservanza di queste istruzioni può invalidare il diritto alla manutenzione gratuita in periodo di garanzia.

Conservare queste istruzioni al sicuro per una rapida consultazione.

**Questo apparecchio elettrico non è inteso per essere utilizzato da persona con handicap fisico, e/o mentale o con mancanza di esperienza e competenza anche se ad esse siano state date istruzioni concernenti l'uso da un supervisore o da persona con esperienza.**

**I bambini devono essere supervisionati da un adulto affinché non utilizzino l'apparecchio per il gioco.**



## Requisiti elettrici

Prima di inserire la spina nella presa a muro assicurarsi che la tensione e la frequenza riportate sull'etichetta informativa all'interno dell'elettrodomestico corrispondano all'alimentazione in uso.

Si consiglia di collegare questo elettrodomestico alla rete di alimentazione tramite una presa dotata di interruttore e fusibile in una posizione facilmente accessibile.

### **Avvertenza! Questo elettrodomestico deve essere dotato di messa a terra.**

Le riparazioni all'apparecchiatura elettrica devono essere eseguite esclusivamente da tecnici qualificati. Riparazioni errate eseguite da persone non qualificate possono provocare conseguenze cruciali per l'utilizzatore dell'elettrodomestico.

### **ATTENZIONE!**

Questo elettrodomestico utilizza il gas R 600a che rispetta l'ambiente ma è infiammabile. Durante il trasporto e l'installazione del prodotto è necessario fare attenzione a non danneggiare il sistema di raffreddamento. Se il sistema di raffreddamento è danneggiato e vi è perdita di gas dal sistema, tenere il prodotto lontano da fiamme e ventilare la stanza per il tempo necessario.

**AVVERTENZA** - Non utilizzare apparecchiature meccaniche o altri mezzi diversi da quelli consigliati dal produttore per accelerare il processo di sbrinamento.

**AVVERTENZA** - Non danneggiare il circuito del refrigerante.

**AVVERTENZA** - Non utilizzare componenti elettrici all'interno degli scomparti per la conservazione del cibo, a meno che non siano del tipo consigliato dal produttore.

## Istruzioni per il trasporto

1. L'elettrodomestico deve essere trasportato solo in posizione verticale. L'imballaggio fornito deve essere intatto durante il trasporto.
2. Se l'elettrodomestico è stato trasportato in posizione orizzontale, non deve essere messo in funzione per almeno 4 ore per consentire al sistema di risistemarsi.
3. La mancata osservanza delle istruzioni sopra riportate può causare danni all'elettrodomestico dei quali il produttore non è responsabile.

4. L'elettrodomestico deve essere protetto da pioggia, umidità e altri fenomeni atmosferici.

### **Importante!**

- È necessario fare attenzione quando si pulisce/trasporta l'elettrodomestico affinché quest'ultimo non tocchi la parte inferiore dei cavi metallici del condensatore sulla parte posteriore dell'elettrodomestico in quanto potrebbero verificarsi lesioni alle dita e alle mani.
- Non tentare di sedersi o di stare in piedi sull'elettrodomestico poiché non è progettato per tale uso. Potrebbero risultarne lesioni personali o danni all'elettrodomestico.
- Assicurarsi che i cavi principali non siano impigliati sotto l'elettrodomestico durante e dopo lo spostamento poiché potrebbero derivarne danni ai cavi.
- Non permettere ai bambini di giocare con l'elettrodomestico o di manomettere i comandi.

## Istruzioni di installazione

1. Non tenere l'elettrodomestico in un ambiente in cui la temperatura scenderà con ogni probabilità sotto i 10 °C (50 °F) di notte e/o in inverno, poiché è progettato per il funzionamento a temperature comprese tra i +10 e +32 °C (50 e 90 °F). A temperature più basse, l'elettrodomestico potrebbe non funzionare, provocando una riduzione nella durata di conservazione del cibo.
2. Non posizionare l'elettrodomestico vicino a fornelli o radiatori o alla luce diretta del sole, poiché ciò causerebbe ulteriore sollecitazione sulle funzioni dell'elettrodomestico. Se viene installato accanto a una fonte di calore o a un freezer, mantenere le seguenti distanze laterali minime:
  - Da fornelli 30 mm
  - Da radiatori 300 mm
  - Da freezer 25 mm
3. Assicurarsi che ci sia spazio sufficiente intorno all'elettrodomestico per garantire la libera circolazione dell'aria (**elemento 2**).
  - Collocare il coperchio di aerazione posteriore sul retro del frigorifero per impostare la distanza tra il frigorifero e il muro (**elemento 3**).
4. L'elettrodomestico deve essere collocato su una superficie piana. È possibile regolare i due piedi anteriori come necessario. Per assicurare che l'elettrodomestico sia in

posizione verticale regolare i due piedi anteriori ruotandoli in senso orario o antiorario finché non si ottiene contatto stabile con il pavimento. La corretta regolazione dei piedi previene vibrazione e rumore eccessivi **(elemento 4)**.


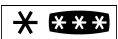
5. Consultare il capitolo "Pulizia e manutenzione" per preparare l'elettrodomestico per l'uso.

### **Conoscere l'elettrodomestico (elemento 1)**

- 1 - Mensola del freezer
- 2 - Alloggiamento del termostato e della spia
- 3 - Mensole regolabili dell'armadietto
- 4 - Canale di raccolta dell'acqua di sbrinamento - Tubo di scarico
- 5 - Coperchio scomparto frutta e verdura
- 6 - Scomparto frutta e verdura
- 7 - Piedi anteriori regolabili
- 8 - Mensola barattoli
- 9 - Mensola bottiglie

### **Suggerimenti sulla disposizione del cibo nell'elettrodomestico**

Linee guida per ottenere la conservazione e l'igiene ottimale:

1. Lo scomparto frigo serve per la conservazione a breve termine di cibi freschi e bevande.
2. Lo scomparto del freezer  è adatto al congelamento e alla conservazione di cibo precongelato. È necessario osservare sempre i consigli per la conservazione  riportati sulla confezione dei cibi.
3. I piatti cotti devono essere conservati in contenitori a tenuta d'aria.
4. I prodotti freschi incartati possono essere conservati sulla mensola. La frutta fresca e le verdure devono essere pulite e conservati nello scomparto apposito.
5. È possibile conservare le bottiglie nell'apposito spazio nello sportello.
6. Per conservare carne cruda avvolgerla in buste di polietilene e collocarla sulla mensola più bassa. Non mettere la carne cruda in contatto con cibi cotti, per evitare contaminazioni. Per sicurezza conservare la carne cruda solo per due o tre giorni.

7. Per la massima efficienza le mensole amovibili non devono essere coperte di carta o altri materiali affinché sia possibile la libera circolazione dell'aria fredda.

8. Non conservare oli vegetali sulle mensole dello sportello. Conservare i cibi confezionati, incartati o coperti. Permettere ai cibi e alle bevande calde di raffreddarsi prima di inserirle nel frigorifero. I cibi in scatole di latta parzialmente consumati non devono essere conservati nella latta.

9. Non congelare bevande gasate e non consumare prodotti come cubetti di ghiaccio aromatizzati troppo freddi.

10. Alcuni tipi di frutta e verdura si rovinano se conservati a temperature intorno a 0°C.

Pertanto avvolgere ananas, meloni, cetrioli e prodotti simili in buste di polietilene

11. I super alcolici devono essere conservati in posizione verticale in contenitori ben chiusi. Non conservare mai prodotti che contengono gas propellenti infiammabili (ad esempio erogatori di crema, bombolette spray, ecc.) o sostanze esplosive. Sono a rischio di esplosione.

### **Controllo e regolazione della temperatura**

Le temperature di funzionamento vengono regolate con la manopola del termostato e possono essere impostate tra i valori 1 e 5 (la posizione più fredda).

Se la manopola del termostato è nella posizione "0" l'elettrodomestico è spento. In tal caso la luce interna non si illuminerà.

La temperatura media all'interno del frigo dovrebbe essere intorno a +5°C (+41°F).

Pertanto regolare il termostato per ottenere la temperatura desiderata. Alcune sezioni del frigorifero possono essere più calde o più fredde (come lo scomparto per l'insalata e la parte superiore dell'armadietto) il che è normale. Si consiglia di controllare periodicamente la temperatura con un termometro per garantire che l'armadietto mantenga questa temperatura. Aperture frequenti dello sportello causano l'innalzamento della temperatura interna,

pertanto si consiglia di chiudere lo sportello appena possibile dopo l'utilizzo.

### **Prima della messa in funzione**

#### **Controllo finale**

Prima di cominciare a utilizzare l'elettrodomestico controllare che:

1. I piedi siano stati regolati per un livellamento perfetto.
2. L'interno sia asciutto e l'aria circoli liberamente nella parte posteriore.
3. L'interno sia pulito come consigliato nel capitolo "Pulizia e manutenzione".
4. La spina sia stata inserita nella presa a muro e l'elettricità sia accesa. Quando lo sportello è aperto la luce interna è accesa.

#### **Si noti che:**

5. Si udrà un rumore quando il compressore si avvia. I liquidi e i gas sigillati nel sistema refrigerante possono produrre dei rumori, che il compressore sia in funzione o meno. Ciò è abbastanza normale.
6. La leggera ondulazione della parte superiore dell'armadietto è abbastanza normale a causa del processo di fabbricazione utilizzato: non si tratta di un difetto.
7. Si consiglia di impostare la manopola del termostato a metà strada e di monitorare la temperatura per assicurare che l'elettrodomestico mantenga la temperatura di conservazione desiderata (vedere il capitolo Controllo e regolazione della temperatura).
8. Non caricare l'elettrodomestico appena lo si accende. Attendere finché non viene raggiunta la temperatura di conservazioni corretta. Si consiglia di controllare la temperatura con un termometro di precisione (vedere il capitolo Controllo e regolazione della temperatura).

### **Conservazione di cibo congelato**

Il freezer è adatto alla conservazione a lungo termine di cibi congelati disponibili in commercio e può essere inoltre utilizzato per congelare e conservare cibi freschi.

In caso di interruzione di alimentazioni, non aprire lo sportello. Il cibo congelato non verrà danneggiato se la mancanza di alimentazione dura meno di 12 ore.

Se dura di più, è necessario controllare il cibo e mangiarlo immediatamente o cuocerlo e quindi congelarlo di nuovo.

### **Congelamento di cibi freschi**

Attenersi alle seguenti istruzioni per ottenere i risultati migliori.

Non congelare quantità troppo grandi in una volta sola. La qualità del cibo viene preservata in modo ottimale quando il cibo viene congelato il più velocemente possibile.

Non superare la capacità di congelamento dell'elettrodomestico in 24 ore.

Il posizionamento di cibi caldi nello scomparto freezer provoca il funzionamento continuo del refrigeratore finché il cibo non si solidifica. Ciò può causare un raffreddamento temporaneo eccessivo dello scomparto di refrigerazione.

Quando si congela cibo fresco, tenere la manopola del termostato in una posizione intermedia. È possibile congelare piccole quantità di cibo fino a 1/2 kg. (1 lb) senza regolare la manopola della temperatura. Fare attenzione a non mescolare cibi già congelati e cibi freschi.

### **Preparazione dei cubetti di ghiaccio**

Riempire la vaschetta per cubetti di ghiaccio per 3/4 con acqua e metterla nel freezer. Allentare la vaschetta congelata con un cucchiaio o un attrezzo simile; non utilizzare mai oggetti appuntiti come coltelli o forchette.

### **Sbrinamento**

#### **A) Scomparto frigo**

Lo scomparto frigo si sbrina automaticamente. L'acqua di sbrinamento scorre nel tubo di scarico tramite un contenitore di raccolta posizionato nella parte posteriore dell'elettrodomestico (**elemento 5**).

Durante lo sbrinamento, possono formarsi goccioline d'acqua nella parte posteriore dello scomparto frigo in cui è posto un evaporatore nascosto. Alcune goccioline possono rimanere sul bordo e congelarsi di nuovo al termine dello sbrinamento. Non utilizzare oggetti appuntiti come coltelli o forchette per

rimuovere le goccioline ricongelate. Se in qualsiasi momento l'acqua di sbrinamento non viene scaricata dal canale di raccolta, controllare che il tubo di scarico non sia stato ostruito da particelle di cibo. È possibile pulire il tubo di scarico con un pulitore per tubi o un attrezzo analogo. Controllare che il tubo sia collocato in modo stabile con l'estremità nel vassoio di raccolta sul compressore per evitare che l'acqua spruzzi sull'installazione elettrica o sul pavimento (**elemento 6**).

### **B) Scomparto freezer**

Lo sbrinamento è diretto e senza problemi, grazie a un bacino speciale di raccolta per lo sbrinamento.

Sbrinare due volte all'anno o quando si crea uno spessore di ghiaccio di circa 7 mm (1/4"). Per avviare la procedura di sbrinamento, spegnere l'elettrodomestico sulla presa e scollegare il cavo di alimentazione.

Tutto il cibo deve essere incartato in diversi strati di carta di giornale e conservato in un luogo fresco (ad esempio un frigorifero o una dispensa).

È possibile porre con attenzione contenitori di acqua calda nel freezer per accelerare lo sbrinamento.

Non utilizzare oggetti appuntiti come coltelli o forchette per rimuovere il ghiaccio.

Non utilizzare mai asciugacapelli, stufe o altri elettrodomestici simili per lo sbrinamento.

Pulire via l'acqua di sbrinamento raccolta nella parte inferiore dello scomparto freezer. Dopo lo sbrinamento, asciugare completamente l'interno. Inserire la spina nella presa a muro e accendere l'alimentazione elettrica.

### **Sostituzione della lampadina interna**

Se la luce si guasta, spegnere la presa di corrente ed estrarre la spina di rete.

Quindi verificare che la lampadina sia ben avvitata nell'alloggiamento apposito.

Reinserire la spina e accendere.

Se la luce non funziona comunque, richiedere una lampadina sostitutiva da 15 Watt (Max) del tipo coperchio a vite E14 al proprio negoziante di materiale elettrico e inserirla.

Smaltire immediatamente e con attenzione le lampadine bruciate.

### **Pulizia e manutenzione**

1. Si consiglia di spegnere l'elettrodomestico dalla presa e di scollegare il cavo di alimentazione prima di pulire.

2. Non utilizzare mai attrezzi appuntiti o sostanze abrasive, saponi, detergenti per la casa o cere per la pulizia.

3. Utilizzare acqua tiepida per pulire l'armadietto del dispositivo e asciugarlo.

4. Utilizzare un panno umido intriso di una soluzione composta da un cucchiaino di bicarbonato di soda e da circa mezzo litro di acqua e pulire l'interno, quindi asciugare.

5. Assicurarsi che l'acqua non penetri nel quadro di comando della temperatura.

6. Se l'elettrodomestico non viene usato per un lungo periodo di tempo, spegnerlo, togliere tutti gli alimenti dal suo interno, pulirlo e lasciare lo sportello aperto.

7. Si consiglia di pulire le parti metalliche del prodotto (ad esempio l'esterno dello sportello e i lati dell'armadietto) con una cera al silicone (lucidante per auto) per proteggere la finitura della vernice di alta qualità.

8. La polvere che si raccoglie sul condensatore, che si trova sul retro dell'elettrodomestico, deve essere rimossa una volta all'anno con un aspirapolvere.

9. Controllare le guarnizioni dello sportello periodicamente per garantire che siano pulite e che non siano presenti particelle di cibo.

10. Non:

- Pulire l'elettrodomestico con sostanze non adatte ad esempio prodotti a base di petrolio.
- Esporre mai ad alte temperature in alcun modo.
- Strofinare, sfregare o simili con sostanze abrasive.

11. Rimozione del vassoio dello sportello:

- Per rimuovere il vassoio dello sportello, rimuovere tutto il contenuto e spingere semplicemente il vassoio verso l'alto.

12. Verificare che il contenitore speciale in plastica sul retro dell'elettrodomestico che raccoglie l'acqua di sbrinamento sia sempre pulito. Per rimuovere il vassoio per pulirlo, attenersi alle istruzioni seguenti:

- Spegnere la presa di corrente ed estrarre la spina di rete.
  - Aprire delicatamente la borchia sul compressore utilizzando un paio di pinze in modo che sia possibile rimuovere il vassoio
  - Sollevarlo.
  - Pulire e asciugare
  - Rimontare invertendo la sequenza delle operazioni
13. Un grande accumulo di ghiaccio influenzerà negativamente le prestazioni del freezer.

### **Riposizionamento dello sportello**

Procedere seguendo l'ordine numerico (Elemento 7).

#### **Cosa fare e cosa non fare**

- Sì** - Pulire e sbrinare periodicamente l'elettrodomestico (vedere "Sbrinamento")
- Sì** - Conservare la carne e il pollame crudi sotto il cibo cotto e i prodotti caseari.
- Sì** - Togliere le foglie delle verdure non utilizzabili ed eliminare eventuale terra.
- Sì** - Lavare lattuga, cavolo, prezzemolo e cavolfiore su gambo.
- Sì** - Avvolgere i formaggi prima in carta a prova di grasso e quindi in una bustina in polietilene, escludendo l'aria quanto più possibile. Per migliori risultati estrarre il cibo dal frigorifero un'ora prima di mangiarlo.
- Sì** - Incartare la carne e il pollame crudi in fogli di polietilene o alluminio. In tal modo si evita la secchezza.
- Sì** - Avvolgere il pesce e le interiora in bustine in polietilene.
- Sì** - Avvolgere i cibi con odore forte o che possono seccarsi in bustine di polietilene o in fogli di alluminio oppure riporli in contenitori a tenuta d'aria.
- Sì** - Incartare bene il pane per conservarne la freschezza.
- Sì** - Raffreddare vini bianchi, birra, birra chiara e acqua minerale prima di servirli.
- Do-** Controllare il contenuto del freezer frequentemente.
- Sì** - Conservare il cibo per brevi periodi come possibile e attenersi alle date di scadenza.
- Sì** - Conservare i cibi congelati in commercio seguendo le istruzioni presenti sulla confezione.
- Sì** - Scegliere sempre cibo fresco di alta qualità e assicurarsi che sia completamente pulito prima di congelarlo.
- Sì** - Preparare il cibo fresco per il congelamento in piccole porzioni per assicurare un congelamento rapido.
- Sì** - Incartare tutti i cibi in foglie di alluminio o in sacchetti in polietilene per freezer e assicurarsi di avere eliminato l'aria.
- Sì** - Avvolgere i cibi congelati subito dopo l'acquisto e metterli nel freezer appena possibile.
- Sì** - Scongellare i cibi nello scomparto frigo.
- No** - Non conservare banane nello scomparto frigo.
- No** - Non conservare melone nel frigo. Può essere raffreddato per brevi periodi purché incartato per evitare che l'aroma contamini gli altri cibi.
- No** - Non coprire le mensole con sostanze protettive che possono ostruire la circolazione dell'aria.
- No** - Non conservare sostanze velenose o pericolose nell'elettrodomestico. È stato progettato solo per la conservazione di cibi commestibili.
- No** - Non consumare cibo che è stato raffreddato per troppo tempo.
- No** - Non conservare cibi freschi e cotti insieme, nello stesso contenitore. Devono essere confezionati e conservati separatamente.
- No** - Non consentire a cibi scongelati o succhi di sgocciolare nei cibi.
- No** - Non lasciare lo sportello aperto per lunghi periodi poiché il funzionamento dell'elettrodomestico diventa più costoso e causa un'eccessiva formazione di ghiaccio.
- No** - Non usare mai oggetti con bordi taglienti come coltelli o forchette per rimuovere il ghiaccio.
- No** - Non introdurre cibi caldi nell'elettrodomestico. Attendere prima che si raffreddino.

- No** - Non inserire bottiglie riempite di liquidi o barattoli di latta contenenti liquidi carbonati nel freezer in quanto possono scoppiare.
- No** - Non superare il carico massimo di congelamento durante il congelamento di cibi freschi.
- No** - Non dare ai bambini gelati e ghiaccio presi direttamente dal freezer. La bassa temperatura può provocare bruciate da freddo alle labbra.
- No** - Non congelare bevande gasate.
- No** - Non tentare di conservare cibi congelati che si sono scongelati; devono essere mangiati entro 24 ore o cucinati e ricongelati.
- No** - Non rimuovere il cibo dal freezer con le mani bagnate.

### Risoluzione dei problemi

Se l'elettrodomestico non funziona quando è acceso, controllare:

- che la spina sia inserita correttamente nella presa e che l'alimentazione sia accesa (per controllare l'alimentazione della presa, collegare ad essa un altro elettrodomestico).
- se il fusibile è bruciato/l'interruttore di distribuzione è spento.
- che il comando della temperatura sia impostato correttamente.
- che la nuova spina sia cablata correttamente se è stata cambiata la spina.

Se l'elettrodomestico ancora non funziona dopo i controlli elencati in precedenza, contattare il distributore presso il quale è stata acquistata l'unità.

rarsi di aver effettuato questi controlli poiché verrà richiesto un sovrapprezzo se non viene trovato alcun guasto.

### Dati tecnici

Marchio	<b>BEKO</b>
Tipo di elettrodomestico	<b>FRIGORIFERO - FREEZER</b>
Volume lordo totale (l)	280
Volume utilizzabile totale (l)	261
Volume utilizzabile freezer (l)	51
Volume utilizzabile frigorifero	210
Capacità di congelamento (kg/24 ore)	4
Classe energia (1)	A
Consumo elettrico (kWh/anno) (2)	301
Autonomia (ore)	12
Rumore [dB (A) re 1 pW]	40
Agente refrigerante ecologico R600 a	
(1) Classe di energia: A . . . G (A = economica. . . G = meno economica)	
(2) Il consumo elettrico reale dipende dalle condizioni di utilizzo e dalla posizione dell'elettrodomestico.	



4577312900  
14.06.07