



**CHEST FREEZER
CONGÉLATEUR**

**WCFH 153 BW
WCFH 183 BW**

**OPERATING AND INSTALLATION MANUAL
NOTICE D'UTILISATION**



CONTENTS

TECHNICAL SPECIFICATIONS	2 page
SAFETY INSTRUCTIONS	3 page
Warnings and Guidelines	
INSTALLATION	4-5 page
Position	
Appliance Description	
Control Panel	
Starting up	
Temperature regulation	
Freezing	
Tips	
HOW TO USE	6 page
Temperature Control	
Opening/Closing the Lid	
Control Panel	
Freezing	
Packaging and Positioning	
Capacity	
HELPFUL HINTS	7 page
Storage	
Freezing	
Defrosting	
Accessories	
MAINTENANCE	8 page
Defrosting	
How to Clean Your Freezer	
When Not in Use	
IF SOMETHING DOES NOT WORK	9 page
ELECTRICAL CONNECTION	10 page
GUARANTEE CONDITIONS & SERVICE	12 page

TECHNICAL SPECIFICATIONS

Model		WCFH 153 BW	WCFH 183 BW				
Volume (gross)	litres	414	514				
Volume (net)	litres	404	502				
Height without/with roller	cm	87,6/88,3	87,6/88,3				
Width	cm	132,5	160				
Depth	cm	66,5	66,5				
Weight	kg	56	66				
Energy consumpt./24h	kWh	3,16	5,35				
Freezing capacity	kg/24h	29	20				
Hold-over time	hours	21	22				
Rated power	W	250	270				

Ⓢ this appliance complies with the following EC Directives:

- 73/23/EEC of 19. 02. 1973 - Low-Voltage Directive

- 89/336/EEC of 03. 05. 1989 (including Amendment Directive 92/31/EEC - EMC Directive.

Some of the models are not available in all countries.

Testing has been carried out in accordance with ISO 5155 regarding the determination of freezer capacity, energy consumption and hold-overtime.

Information for test institute: A plan of the positioning of test packages may be obtained directly from the manufacturer.

SAFETY INSTRUCTIONS

WARNINGS AND GUIDELINES

These warnings are provided to improve safety, and should be read carefully before installing or using your freezer.

IMPORTANT

It is vital that these instructions are kept with the freezer for future use. If the freezer is sold or given to another user, or if you move and leave the freezer behind, you must ensure that the instructions accompany the freezer to enable the next user to use the freezer correctly and read the relevant warnings.

- This freezer is only intended for the freezing and storage of food.
- This freezer should only be operated by adults. Children must not be allowed to tamper with the control buttons or play with the freezer.
- Changes in the electrical mains system in connection with the installation of this freezer should always be carried out by an authorised electrician or competent person.
- Do not under any circumstances attempt to repair the freezer yourself. Repairs carried out by untrained people may result in personal injury or serious malfunction of the freezer.
- Service of the freezer should be carried out by an authorised service company, and only original spare parts should be used. See under "Guarantee Conditions and Service".
- It is dangerous to alter the freezer specifications, or to change the freezer in any other way.
- Make sure that the freezer is not placed on top of the mains cable.
- Do not re-freeze food once it has been defrosted.
- Observe the recommendations for storage carefully. See under "Helpful Hints".
- This freezer includes components that are heated during operation. Consequently, adequate ventilation must always be provided. If ventilation is insufficient defects may occur, resulting in the loss of food. See under "Installation".
- The inside of the freezer contains pipes through which coolant flows. If these pipes are punctured the freezer may be damaged beyond repair, and food may be lost. Do not use sharp implements to remove frost or ice. Frost can be removed using the enclosed scraper. Do not knock ice off the sides of the freezer, but remove it by defrosting the freezer. See under "Maintenance".
- Do not place drinks in the freezer. Bottles and cans containing carbonic acid or sparkling drinks are particularly prone to explosion, which may damage the freezer.
- This freezer is heavy. Take care when moving it.
- If the freezer is fitted with a lock to prevent tampering by children, the key must always be kept safely out of the reach of children, and far away from the freezer.
- Before disposing of an old freezer, make sure that the lock (if present) no longer works. This is to prevent accidents and avoid the danger of children getting locked inside.
- Ice lollies can cause frostbite if eaten direct from the freezer.
- Your appliance contains an environmental friendly natural gas, isobutane (R600a) as refrigerant, which is nevertheless flammable.
- During transportation and installation of the appliance, be sure that none of the components of the cooling circuit become damaged.
- If any part of the cooling circuit damaged:
 - avoid naked flames and sources of ignition;
 - thoroughly ventilate the room in which the appliance is installed.

IN THE INTERESTS OF THE ENVIRONMENT:

When disposing of your old fridge, freezer or fridge/freezer:

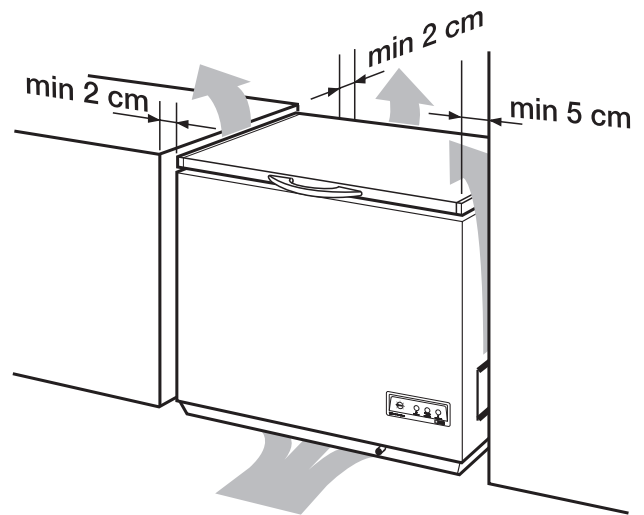
Check with your local Council or Environmental Health Officer to see if there are facilities in your area for collecting the gas from the appliance for recycling. This will help reduce the amount of CFC gas released into the atmosphere.

Help to keep your country tidy - when disposing of an old appliance or a CFC free appliance use an authorised disposal site.

INSTALLATION

POSITION

- Place the freezer horizontally on a firm surface, resting on all four plastic feet. Use a wooden block or similar object to compensate for any bumps/holes in the surface.
- The room should be dry and adequately ventilated.
If the room temperature exceeds 32°C, or falls below freezing point, the freezer will not function as it should.
- Do not place the freezer close to sources of heat, radiators, chimneys, etc., and do not place the freezer in direct sunlight.
- If the freezer has been handled standing on end it should be allowed to stand in normal position for about 12 hours before switching it on.
- Please ensure that when the appliance is installed it is easily accessible for the engineer in the event of a breakdown.



Appliance Description

Control Panel

- 1 temperature regulator
- 2 green mains operating light
- 3 fast freeze switch with amber light
- 4 red temperature warning light

Starting up

- Please clean the appliance interior and all accessories prior to initial start-up (see section: „Cleaning and Care“).
- Insert the mains plug of your chest freezer into the mains supply. Your appliance is then operational.

The **green mains operating light (2)** and **red temperature warning light (4)** show, and the **acoustic temperature warning** sounds.

The green mains operating light indicates operation and must continuously show.

The red temperature warning light tells you that the storage temperature has not yet been attained.

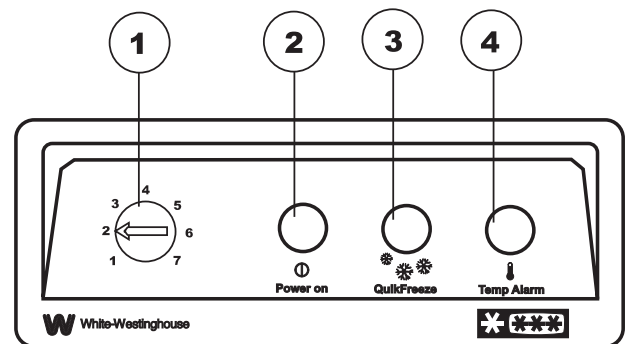
If you additionally operate the **fast freeze switch (3)**, the **amber pilot light in the switch (3)** illuminates, and the refrigerating unit operates in continuous mode.

When the fast freeze switch is pressed, the acoustic temperature warning immediately stops.

If you switch off the **fast freeze switch (3)** when the **red temperature warning light (4)** has gone out, the amber light goes out.

The **red temperature warning light (4)** and **acoustic temperature warning** give an alarm if:

- the storage temperature has not yet been reached (starting up).
- the minimum storage temperature is no longer being maintained (fault).



INSTALLATION

- large quantities of fresh food have been placed inside.
- the chest lid has been open for too long.

The **red temperature warning light (4)** and **acoustic temperature warning** give no warning:

- if the power supply is interrupted;
- if the thermostat is defective.



Important: Check regularly on the red temperature warning light and on a thermometer placed inside whether the storage temperature is being maintained.

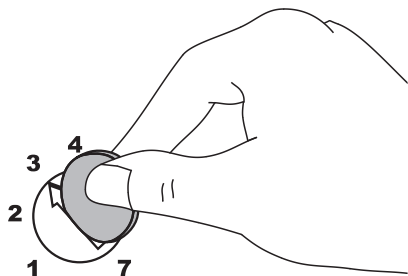
Temperature regulation

The temperature inside the freezer is controlled by the thermostat control knob situated on the control panel. To operate the freezer, proceed as follows:

When you first start the freezer it is recommended that the thermostat control knob is turned to a medium setting (3-4). The correct setting can be found by measuring the temperature of the top middle package in the freezer. The temperature must be 18°C or colder.

1 = Lowest setting, minimum cold

7 = Highest setting, maximum cold.



Allow the freezer to run for several hours before placing food inside.

Do not fill the freezer to higher than 5mm below the lower edge of the plastic frame.

A coin has to be used to turn the temperature control knob. This makes it more difficult to inadvertently adjust the temperature (child protection).

Since the ambient temperature, type and quantity of stored frozen food, and frequency and duration of lid opening affect the storage temperature of -18 °C or colder, you should check the internal temperature on a thermometer.

Set the temperature control knob so that the indicated temperature is -18 °C or colder.

Important: If you operate the fast freeze switch or adjust the temperature control knob, it may happen that the refrigerating unit of your chest freezer does not start immediately. This is normal and not a fault with the appliance.

Freezing

To freeze fresh foods use the small freezing compartment on the right of the dividing partition. This enables you to separate already frozen foods from fresh foods. Always make sure already frozen goods cannot defrost by coming into contact with fresh products. If the freezing compartment is too small you can freeze part of the products in the large storage section on the left of the dividing partition.

Attention!

Before freezing food the temperature in the freezer must be -18 °C or colder.

Please observe the indicated freezing capacity on the rating plate. The freezing capacity represents the maximum amount of fresh goods that can be frozen within 24 hours. If you freeze goods on several days, one after the other, freeze amounts equal to 2/3 to 3/4 of the capacity indicated on the rating plate.

Thawed foods which have not been processed further (cooked into meals) may not under any circumstances be frozen a second time.

To freeze the maximum quantity of fresh food quoted on the rating plate press the QUICK FREEZE button 24 hours prior to freezing, or 4 to 6 hours for smaller quantities. The amber fast freeze light illuminates.

The QUICK FREEZE button need not be pressed for freezing small quantities of up to 3 kg.

All foods must be packed air tight prior to freezing, so that they do not dry out or lose their flavour, and so that no transfer of flavour to other frozen goods occurs.

Caution! Do not touch the frozen foods with wet hands. Hands can freeze to the goods.

- Place the packed food products into the freezer. Ensure they come into contact with the side walls. Unfrozen goods may not come into contact with already frozen goods, otherwise the frozen goods may start to thaw.
- If more products have to be frozen, keep on the fast freeze switch - otherwise switch the fast freeze function off about 24 hours after inserting the food products, for smaller quantities earlier.

Tips:

- The following are suited for the packaging of frozen goods:
 - freezer bags and polyethylene wraps;
 - special cans for frozen goods;
 - extra-thick aluminium foil
- The following are suitable for closing bags and foil: plastic clips, rubber bands or adhesive tape.
- Before closing press out the air from the bags and foil, as air makes the frozen products dry out more easily and wastes space.
- Make flat packages, because these freeze more quickly.
- Do not fill cans for frozen goods to the brim with liquid or paste-like goods, because liquids expand during freezing.



HOW TO USE

PACKAGING AND POSITIONING

Food must be cold before freezing (no more than room temperature).

Food must be packed in airtight and moisture-proof packaging to prevent it from drying out.

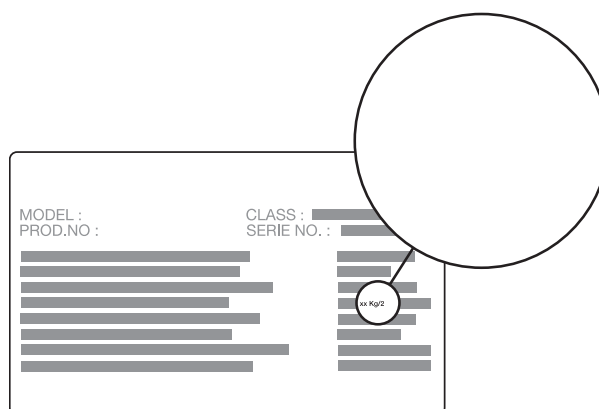
Place fresh food for freezing close to the cold sides of the freezer, making sure that it is not in contact with the frozen food already in the freezer.

Never fill the freezer to more than 5 mm below the top edge.

See under "Helpful hints".

CAPACITY

The freezing capacity of the freezer is stated in the data plate (kg/24 hours). Do not exceed the amount stated - if you do, the freezing time will be extended. The data plate is located inside the lid.



LOCK

(Not a standard accessory for all models.) The lock works as shown in the drawings. Remember to keep the key out of the reach of children.

BASKETS

The baskets are designed for the storage of food which has already been frozen. The handles can be placed in two positions, as shown in the drawings. The baskets can either be placed inside the freezer or hung on the edge of the casing.