

1 / FOR THE USER'S ATTENTION	
• Safety instructions _____	31
• Protection of the environment _____	32
• Energy savings _____	32
2 / DESCRIPTION OF YOUR APPLIANCE	
• General presentation of the tumble dryer _____	33
3 / INSTALLING YOUR TUMBLE DRYER	
• The appliance's surroundings _____	34
• Levelling _____	34
• Built-under installation _____	35
• Combined washer/dryer installation _____	35
• Modifying the door opening direction _____	35
• Electrical connection _____	36
4 / PREPARING YOUR ITEMS	
• Checking the condition of your textiles _____	37
• Inserting the items in the drum _____	37
5 / PROGRAMMING	
• Presentation of the control panel _____	38
• Programming a drying cycle _____	38
• Drying times _____	39
6 / REGULAR MAINTENANCE	
• Cleaning the filter _____	40
• Emptying the condensate container _____	40
• Cleaning the condenser _____	41
• Cleaning the appliance _____	41
7 / TROUBLESHOOTING _____	42
8 / AFTER-SALES SERVICE _____	43

⚠ Important :
Keep these operating instructions with your appliance. If you should sell your machine or give it to someone else, ensure that the operating instructions go with it. Please take note of these safety instructions before installing and using your appliance. They have been drawn up for your safety and that of others.

• SAFETY INSTRUCTIONS

• Installation

- When you take delivery of the appliance, unpack it or have it unpacked immediately. Check that it has not suffered any damage during transport. Express any reservations in writing on the delivery note and keep a copy. Never connect up a damaged appliance. If your appliance is damaged, please contact your dealer.
- Before proceeding to connect up your appliance, please refer to the Installation Instructions.
- Your tumble dryer must be kept disconnected from the mains supply throughout the whole installation process.
- The electrical connection details shown on your appliance's information plate must match the those of the local mains supply.
- Once your appliance has been installed, the plug must remain accessible.
- Do not alter or try to alter this appliance's characteristics. This could be dangerous for you.
- If your installation requires alteration, only entrust the electrical and plumbing work to appropriately qualified electricians and plumbers.
- The appliance must not be installed behind a locking door, a sliding door or a door with hinges on the opposite side to those on the dryer.
- Your appliance is designed for normal domestic use. Do not use it for commercial or industrial purposes or for any other purpose than the one for which it has been designed

• Children's safety

- This appliance must only be used by adults. Do not let children play with the appliance and keep pets away from it.
- Keep young children away from the appliance when it is operating.
- When you have unpacked your appliance, keep the packing out of children's reach.
- Keep the packaging materials out of children's reach (e.g.: plastic bags, polystyrene, etc.) because they can be dangerous for children: risk of suffocation.

• Use

⚠ Important :
Your tumble dryer is designed only for domestic use, for drying textiles suitable for tumble drying.

⚠ Important :
You must observe the following instructions. We decline any responsibility and rescind the guarantee if these recommendations are ignored: failure to observe them can result in material damage and physical injury.

- Use your appliance in accordance with its method of use, thereby avoiding injury to yourself and damage to your items. Do not use solvents in the appliance (risk of fire and explosion).
- Precautions for using stain-removing products:
 Any preliminary treatment with solvents, stain-removers or aerosols is forbidden because these products are very inflammable. If your laundry requires this type of treatment, this must be done before washing. Similarly, we recommend that you do not use these products near to your dryer or, in general, near any electrical appliance in a poorly ventilated room in order to avoid any risk of an explosion.

- Strictly comply with the care instructions on your laundry.
- If you have to open the door of the drum during the drying cycle, ensure that you do not touch the drum immediately, as it is very hot.
- If any incidents occur, which you cannot resolve using the troubleshooting advice we provide (see “TROUBLESHOOTING”), contact an appropriately qualified professional.
- Before disposing of your worn-out appliance, make it unusable. Unplug and cut off the power cable flush with the appliance and make the door lock inoperable.
- For your safety's sake, if you wish to change your appliance's power cable, contact an appropriately qualified electrician.
- If any operating anomalies occur, disconnect your appliance and call your After-Sales Service.

• ENVIRONMENTAL PROTECTION

This appliance's packaging material is recyclable. Help recycle it and protect the environment by dropping it off in the municipal receptacles provided for this purpose.



Your appliance also contains a great amount of recyclable material. It is marked with this label to indicate the used appliances that should not be mixed with other waste. This way, the appliance recycling organised by your manufacturer will be done under the best possible conditions, in compliance with European Directive 2002/96/EC on Waste Electrical and Electronic Equipment. Contact your town hall or your retailer for the used appliance collection points closest to your home.

We thank you doing your part to protect the environment.

• ENERGY SAVINGS

- Spin your textiles at high speeds; the residual dampness will be low, as will your energy consumption. Even synthetic textiles must be spun before drying.
- Place the maximum load in your machine; this will utilise energy optimally. When doing so, comply with the indications on volume we provide in this instructions manual.
- The drying time and the energy consumption are both increased by a high ambient temperature and too small a room.
- Clean the filter after each drying cycle.
- Clean the condenser twice a month.

• **GENERAL PRESENTATION OF THE TUMBLE DRYER**

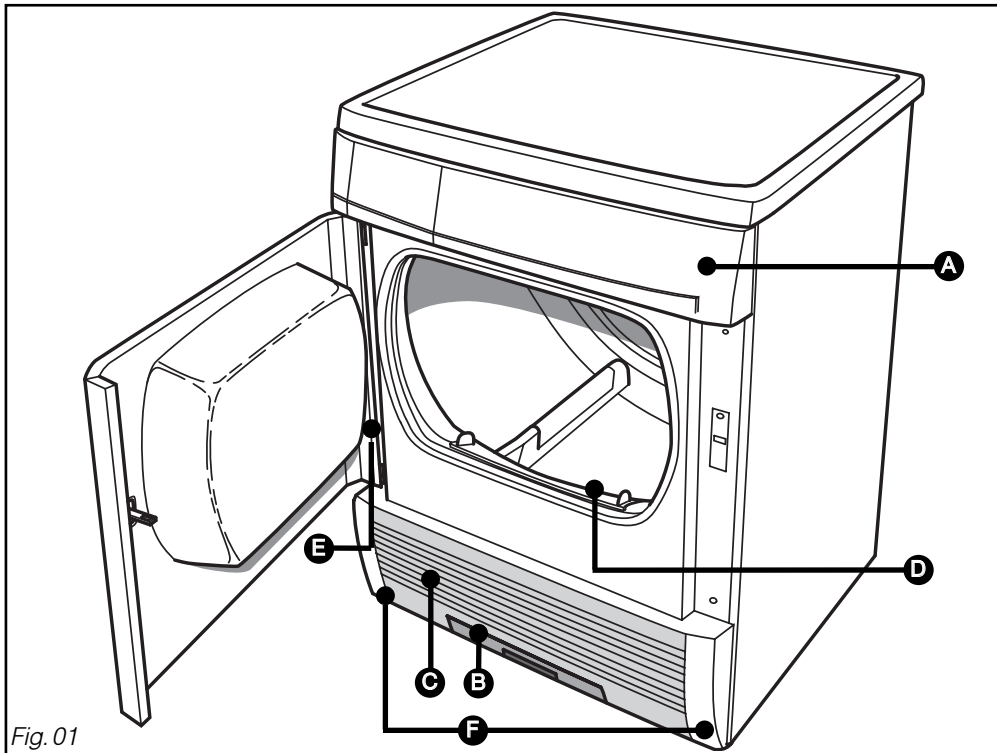


Fig. 01

- | | |
|-------------------------------|--|
| A Control panel | D Filter |
| B Condensate container | E Information plate (Reference for After-Sales) |
| C Condenser grill | F Adjustable feet |

• THE APPLIANCE'S SURROUNDINGS



Advice :

Your tumble dryer releases heat. If you place it next to another appliance or a unit, we would advise you always to leave a space in-between to assist air circulation (Fig. 02).



Important :

We would strongly advise against:

- Installing your appliance on a carpeted floor. If you cannot avoid this, take all possible measures not to obstruct the circulation of air at its base.
- Installing your dryer in a location where it could be subject to being splashed with water.
- Installing your dryer in a small closed room (if this is the case, open the door or the window during drying)
- Installing your dryer in a poorly ventilated room. The temperature in the room must remain below 30°C during drying.

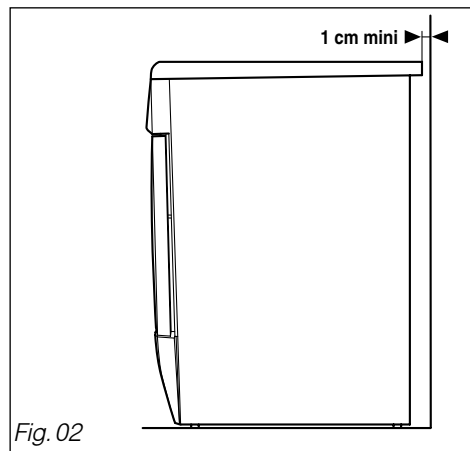


Fig. 02

• LEVELLING



Important :

Use a spirit level to check that the appliance is horizontal:

Your dryer is fitted with 4 adjustable feet (Fig.03). To adjust its horizontality and stability:

- Tip it slightly backwards
- Screw one or more of the feet in or out using a spanner or a screwdriver to adjust their height to suit the shape of the floor (Fig.03)
- Set your dryer back on its feet and check that it is stable.

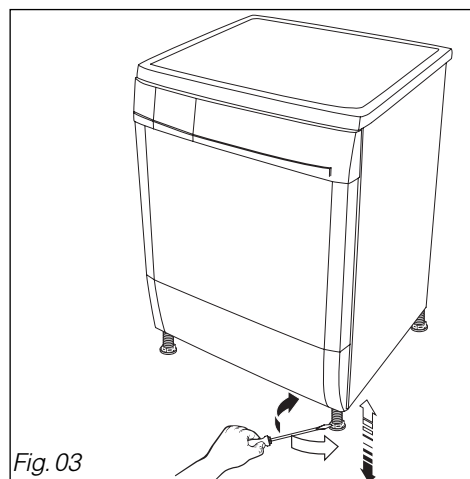


Fig. 03

• BUILT-UNDER INSTALLATION

If you wish to incorporate your appliance as a built-in unit, a special kit is required. Please contact your Consumer Relations Department.

• COMBINED WASHER/DRYER INSTALLATION



Important :

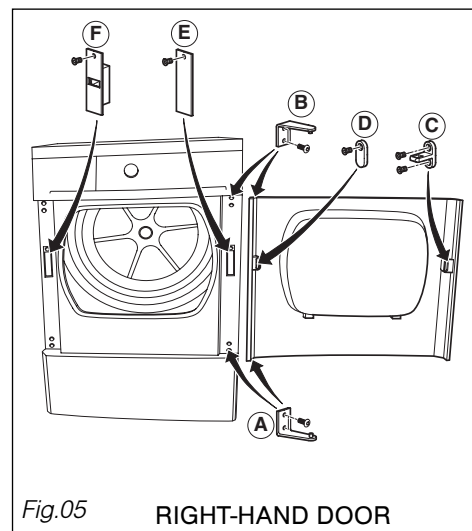
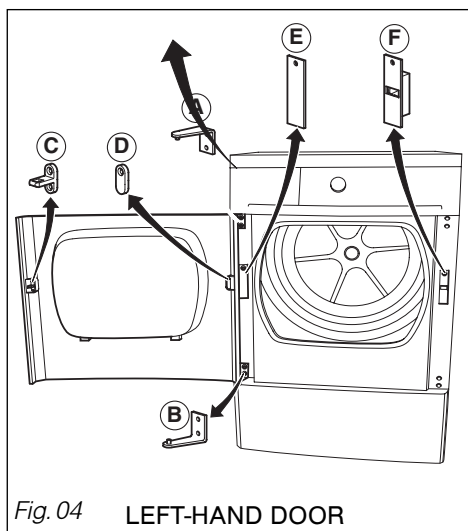
Check with your local After Sales Service Centre to see whether the column mounting kit is compatible with your washing machine.

For safety reasons, the assembly must be checked by a qualified professional.

• MODIFYING THE DOOR OPENING DIRECTION

If you wish, you can alter the direction the door opens as follows (Fig. 04 or 05).

- Remove the 4 screws in the front panel holding the hinges **A** and **B**.
- Reverse the hinge **A** and fasten it back on.
- Refit the door on the hinge **A**.
- Reverse the hinge **B** and fasten it back on.
- Reverse the positions of the lock **F** and the cover **E** on the machine's front face.
- Reverse the positions of the bolt **C** and the cover **D**.



• ELECTRICAL CONNECTION



Danger :

For making the electrical connection to your appliance:

- *Do not use an extension, an adapter, a multiple socket or a programmable timer.*
- *The plug must be easily accessible but be out of children's reach.*
- *If in any doubt about the condition of your installation, contact your installer or a qualified Brandt-approved professional.*
- *Never eliminate the electrical Earthing system.*

The electrical installation must comply with norm NF C15-100, particularly as regards the Earthing system.

3 x 2.5mm² 230V line connected to:

- A 20A, 230V-50Hz meter
- A differential circuit-breaker and a specific 16A fuse
- A 16A 2 pin + Earth socket

We cannot be held responsible for any incident caused by poor electrical installation.



Advice :

In order to find your appliance's reference numbers easily in future, we recommend that you note them down on the "After-Sales Service and Consumer Relations" page (this page also explains where to find these on your appliance).

Your appliance complies with European Directives 73/23/EEC (Low Voltage Directive) and 89/336/EEC (Electromagnetic Compatibility) as modified by Directive 93/68/EEC.

• CHECKING THE CONDITION OF YOUR TEXTILES



Advice :

If, before you insert your laundry in the tumble dryer, you notice any stains, even after washing, do not dry the items concerned. As a general rule, stains that have been ironed or tumble-dried can no longer be removed.

Please refer to the instructions for treating stubborn stains provided in most washing machine operating instructions manuals and, in particular, wash the stained items again.

• **Preparing your items:**

- Close all zip fasteners and press studs.
- Remove any loose buttons, pins or hook fasteners.
- Knot any belts, apron strings, etc...
- Empty the pockets.



Important :

Do not tumble-dry the following articles:

- Plastic-coated fabrics
- Chlorofibres (Thermolactyl* for example)
- *Registered trademark
- Items containing plastic foam, rubber or underwiring that could become detached
- Bulky items (duvets, eiderdowns, etc...)
- Laundry that has not been spun
- Laundry cleaned with inflammable chemicals.



Important :

Check the labels on your textiles

Normal drying		Gentle drying	
Do not tumble dry			

• INSERTING YOUR ITEMS IN THE DRUM

- Open the door by pushing it (Fig.06).
- Check that the filter is in its housing .
- Insert the washed and spun laundry loosely in the drum **without folding it or piling it up.**
- Close the door.

• **Recommended volumes:**

To reduce creasing and optimise drying times, we recommend you do not overload the machine.

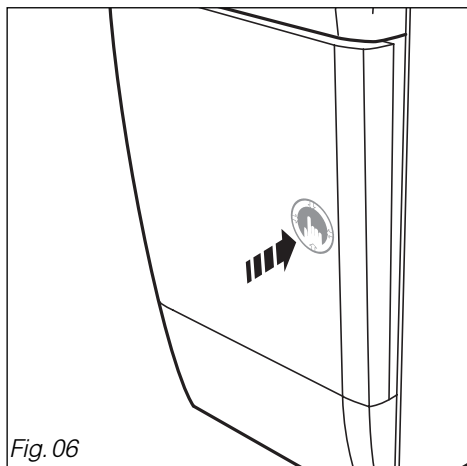
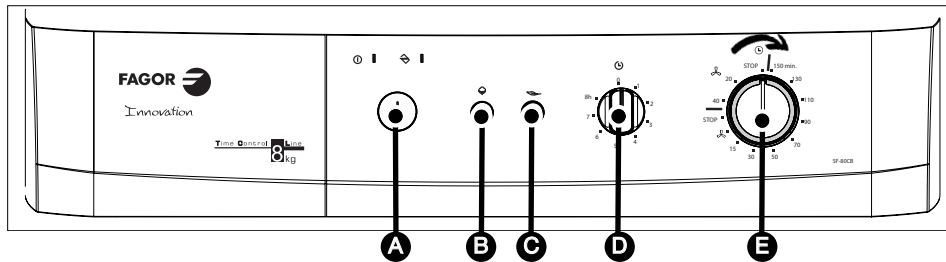


Fig.06

• PRESENTATION OF THE CONTROL PANEL



A On /Off

B Drying "Cotton"

C Drying "Delicates"

D Delayed Start option

E Drying time


• PROGRAMMING A DRYING CYCLE

• Starting the appliance

Check that the power cable is plugged in. The appliance can be started if the door is properly closed.

- Press the "ON/OFF" button **A**

• Choice of textile

- **COTTON** : 

For loads consisting of household linen, terry towelling and cotton clothes and underclothes.

- Press the "Cotton" button **B**

- **DELICATES**: 

For textiles that are particularly temperature-sensitive (e.g. made from acrylic fibres).

- Press the "Delicates" button **C**

- **MIXED**:

For loads consisting of items of different types (cotton and hard-wearing synthetic articles) or made from mixed fibres.

- Do not press any button.

• Selecting the drying time

The selector knob **E** has two functions:


- Drying time

Turn the knob clockwise to select the drying time to suit the type of items, the load and how efficiently your washing machine spin-dries.

- Refresh cycle


Selection this position when you want to refresh items that have been stored in a cupboard for a long time.


• Immediate Start **A**

Press the "ON/OFF" button:  the cycle starts, the "ON" indicator light illuminates and remains lit until the end of the cycle.



Delayed Start option **D**


Select a position between 1 and 8 hours.

"Delayed Start" enables you to delay the time you start  drying your laundry to take advantage of off-peak rates or to start the cycle at the time you wish.

If you open the door during the cycle, the "ON/OFF"  button is released. After closing the door, press "ON/OFF" again to restart the programme.

• **Stopping the appliance**

At the end of the programme, after cooling  down for 12 minutes, your appliance stops on the "Stop" position. The "Tank Full"  indicator light illuminates to remind you that **you must empty the condensate container after each drying cycle.**

- Press the "ON/OFF" button 
- Empty your dryer.
- Clean the filter (see how to do this in the "REGULAR MAINTENANCE" section).
- Empty the condensate container (for how to do this, see the section "REGULAR MAINTENANCE").





Advice:

As a safety measure, it is advisable to unplug the power cable when you are not using the appliance.

• **DRYING TIME**

Les temps de séchage ci-dessous vous sont donnés à titre indicatif, car ils sont fonction :

- The desired result: dry, damp, etc.
- The ambient temperature (these values correspond to an ambient temperature of 20°C)
- The quality of the prior spin-drying.

Type of items	Load	For items spun at	Drying cycle time
COTTON 	8 kg	850rpm	110 to 130 minutes
	3,5 kg	850rpm	60 to 70 minutes
DELICATES 	3 kg	500rpm	60 to 80 minutes
	1,5 kg	500rpm	40 to 50 minutes
MIXED	5 kg	850rpm	80 to 100 minutes
	2,5 kg	850rpm	50 to 60 minutes

For lower spin speeds, the times will be relatively longer.

(For example, for 5kg of normal laundry spun at 500 rpm: 120 to 150 minutes).

RECOMMENDED PROGRAMMES FOR TESTS TO EN 61121 - DIRECTIVE 95/13/EEC

Load I	"Dry cotton"	8 kgselect "Cotton" button pressed
Load II	"Ready-to-iron cotton"	8 kgselect "Cotton" button pressed
Load III	"Easy-care textiles"	3 kgselect "Delicates" button pressed

• CLEANING THE FILTER



Important :

We would remind you that the filter must be cleaned after every cycle.

This is located in the lower part of your dryer. Clean it as follows:

- Remove it from its housing by pulling it from the bottom upwards (Fig. 07)
- Open the filter (Fig. 08)
- Clean it by removing the thin coating of fluff covering it (Fig. 09)

Ensure that there is no fluff accumulating round the dryer.



Important :

The filter must not be washed with water (Fig. 10).

- Re-insert it in its housing, pushing it well in.

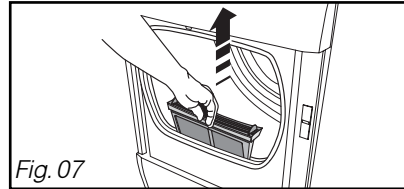


Fig. 07

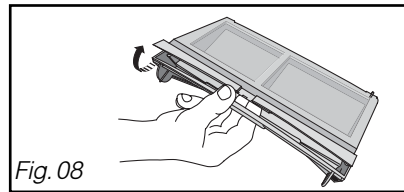


Fig. 08

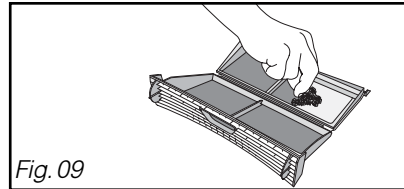


Fig. 09

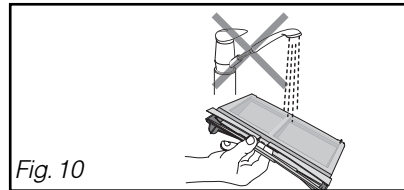


Fig. 10

• EMPTYING THE CONDENSATE CONTAINER

This is located at the bottom of your appliance and recovers the water extracted from your items during drying.

- To empty it, release it from its housing by pulling it towards you (Fig. 11).



Important :

The condensate container must be emptied after each drying cycle (Fig.12).



Important :

Risk of frost: Empty the condensate container if there is a risk of frost.



Important :

Moving the appliance: Empty the condensate container if you wish to move or tilt your appliance.

- Empty the container (Fig. 12).

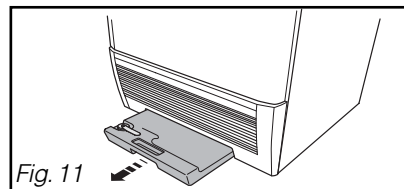


Fig. 11

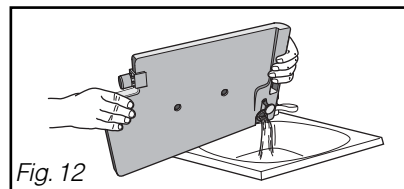


Fig. 12

• CLEANING THE CONDENSER

⚠ Important :
The condenser must be cleaned twice a month.

⚠ Important :
Unplug the power cable from the socket before cleaning the condenser.

- Drop down the grill at the front of the appliance.
- Release the condenser (Fig.13).
- Remove it carefully (Fig.14).
- Remove any fluff from the condenser.
- Clean it just with water under the tap (Fig.15).
- After cleaning, ensure that none of the tubes are “blocked” and that the fins are clean.
- Rub it over superficially.
- Re-insert the condenser and lock it in place. Refasten the grill.

⚠ Important :
When refitting the condenser, keep it pushed in firmly right to the back of its housing when locking it in.

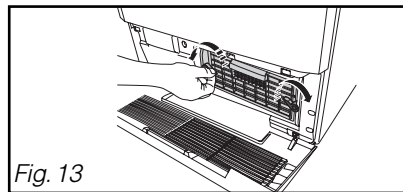


Fig. 13

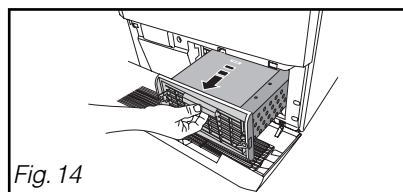


Fig. 14

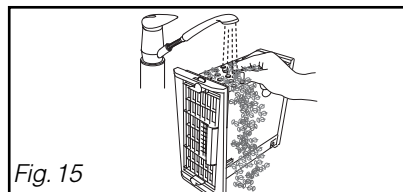


Fig. 15

• CLEANING THE APPLIANCE

🔍 Advice :
To clean the control panel, the access to the drum and the casing, use only a sponge or a damp cloth and some soapy water.

- Ensure that there is no fluff accumulating round the dryer.
- Clean the door seal with a damp cloth.
- Clean the filter housing with your vacuum cleaner once per year.

You should **not use**, under any circumstances (Fig.16):

- Abrasive powders
- Metal or plastic sponges
- Alcohol-based products (alcohol, thinners, etc.)

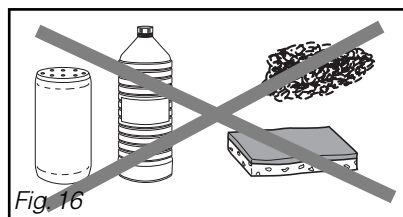


Fig. 16

To keep your appliance in good working order, we recommend that you use Clearit household products.



Professional expertise for the general public

Clearit offers you professional products and adapted solutions for the daily upkeep of your household and kitchen appliances.

You may find them in conventional retail outlets, along with a complete line of by-products and consumables.

**Advice :**

Some incidents may arise when you are using your dryer. Here are the points you should check.

Fault :	Check whether :
The dryer does not start :	<ul style="list-style-type: none"> - The plug is in the socket - The ON/OFF button is pressed in - The door is properly closed - The condenser is correctly locked in place.
The drying times are too long :	<ul style="list-style-type: none"> - The filter in the drum is clogged with fluff - The laundry has been spun enough beforehand (500rpm minimum, but spinning at 850rpm provides better drying times) - The condenser is not clogged. - The air inlets and outlets are unobstructed enough to ensure correct air circulation. - The drying programme selected matches the type of items in the drum.
The laundry is too damp :	<ul style="list-style-type: none"> - The filter in the drum is clogged with fluff - The type of drying has been selected correctly (too low) : switch to the next programme up or increase the drying time. - The condenser is not blocked by fluff.
The laundry is too dry, too creased :	<ul style="list-style-type: none"> - The drying time selected is too long: the drying time is better to be too short than too long: this avoids the laundry becoming too dry and difficult to iron.
The items are unevenly dried :	<ul style="list-style-type: none"> - The types of textiles in the load are too different (e.g. sheets together with jeans) - The laundry has been laid correctly 'unfolded' in the dryer The drum is not overloaded.
The synthetic items are loaded with static electricity :	<ul style="list-style-type: none"> - The laundry has been dried too much - You have used softener during washing. By using this product, you can reduce most of the problems with static electricity.
The "Tank Full" indicator light is lit :	<ul style="list-style-type: none"> - The condensate container is full: once you have emptied it, re-insert it correctly, pushing it fully into its housing
The "Tank Full" indicator light illuminates although the tank is empty :	<ul style="list-style-type: none"> - Check whether the container has been properly inserted: push it in fully. - Check if the condenser is tightly locked on the two sides.

- **INTERVENTIONS**

Any work on your appliance must be performed by a Brandt-approved qualified professional. When you call, mention your appliance's full reference (model, type, serial number). These details are shown on the manufacturer's information plate (Fig. 17).

ORIGINAL PARTS

During any maintenance work, ask that only **certified original replacement parts be used.**

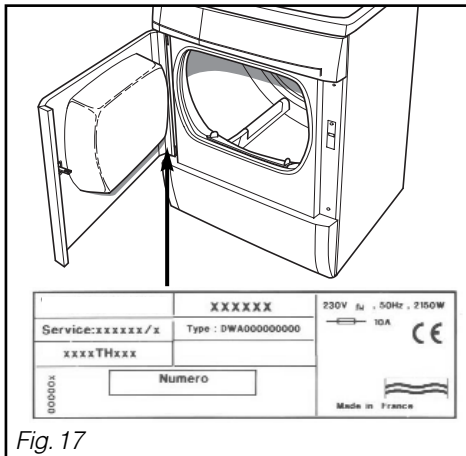


Fig. 17

SF-80CB

B2406A - 2/3 - 03/06